

Model SL905XCE

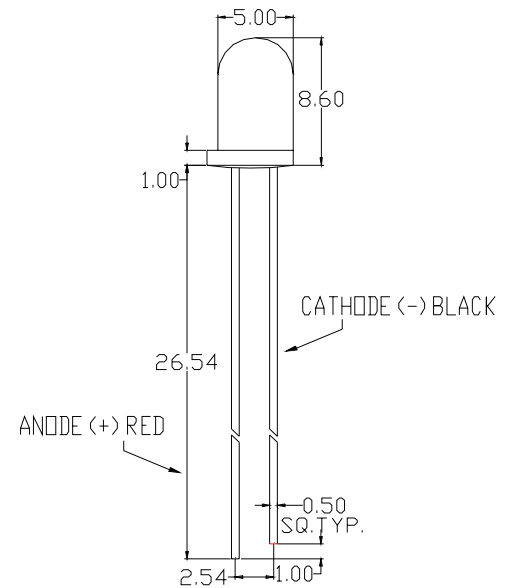
5 mm Ultra Bright LED

Specifications

Lens color	Waterclear
Absolute max ratings	
Pd mW	120
If mA	30
If mA (Peak)	100
Reverse voltage	5 volt
Reverse current (Vr=5V)	50 uA
Operating temperature range	-20° C – +80° C
Storage temperature range	-30° C – +100° C
Lead soldering temperature 1.6 mm (1/16 in) from body	-260° C for 5 seconds

Part number	Chip		Wave length	View angle (deg)	Electo-optical characteristics		
	Raw material	Emitted color			Vf(V)		IV (mcd)
					Typ.	Max.	Typ.
SL905RCE	AlGaInP	Red	635	13	2.0	2.4	7300
SL905GCE	AlGaInP	Green	575	20	2.0	2.4	2200
SL905YCE	AlGaInP	Yellow	590	13	2.0	2.4	8900
SL905ACE	AlGaInP	Amber	620	13	2.0	2.4	9900
SL905BCE	GaN/SiC	Blue	430	20	3.8	4.5	400
SL905WCE-20	InGaN/YAG	Pure White	-	20	3.6	4.0	3300

1. Tolerance is +0.25mm(0.10") unless otherwise specified.
2. Protruded resin under flange is 1.5 mm(0.059") max.
3. Lead spacing is measured where the leads emerge from the package
4. Specifications are subject to change without notice



All dimensions are in millimeters.