

PML3 Paladin (Large)

Installation Guide for PML3 Paladin Large Body Fixtures (200 W, 160 W, 120 W)

Installation

NOTE: Lockout and tagout power to pole before installing fixture.

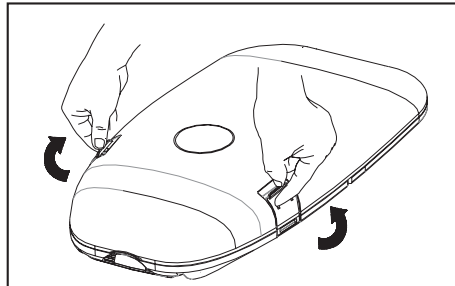
CAUTION, risk of electric shock



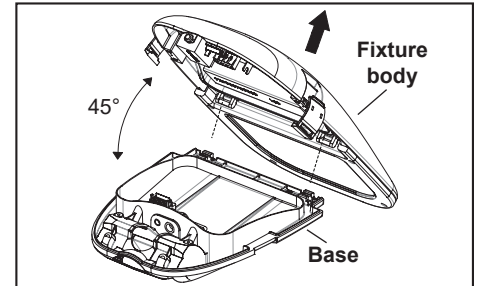
Tools and supplies required:

8 mm hex key, and 5 mm hex key.

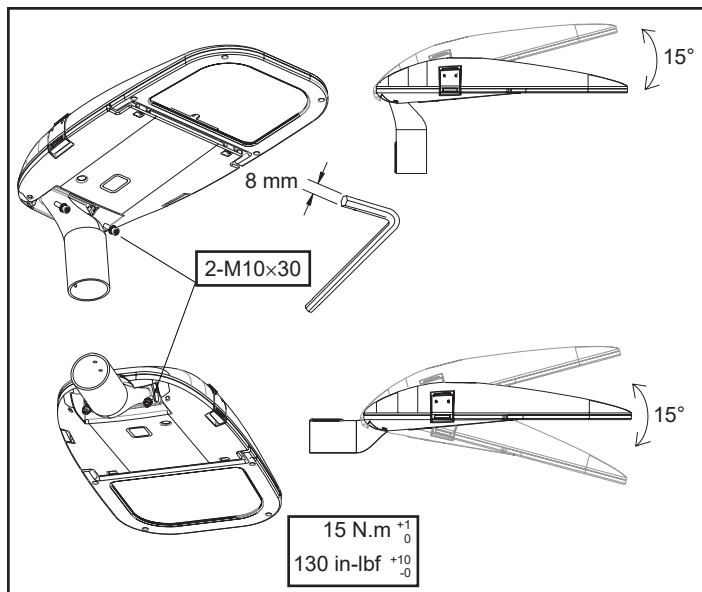
NOTE: Electrical connections must be performed by a qualified, licensed electrician.



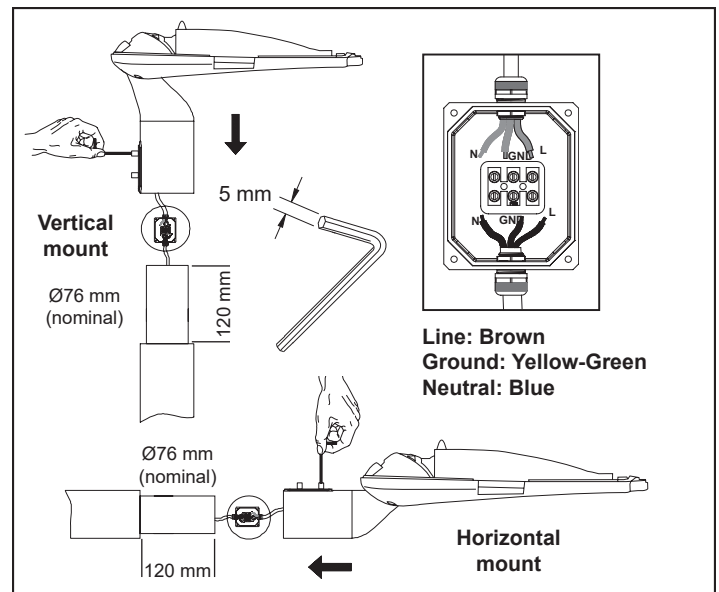
1. Unlock clamps on sides of luminaire.



2. Fixture body can be removed from base by tilting it to 45°, disconnecting primary power at flat, three-pole connector, and pulling it off of hinges.
NOTE: Most of fixture weight is in body.



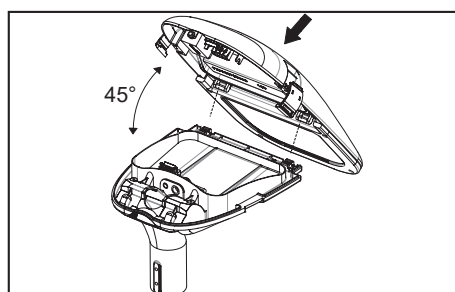
3. Install slipfitter to base in desired position. **NOTE:** Installing slipfitter is easier if base is removed from fixture body.



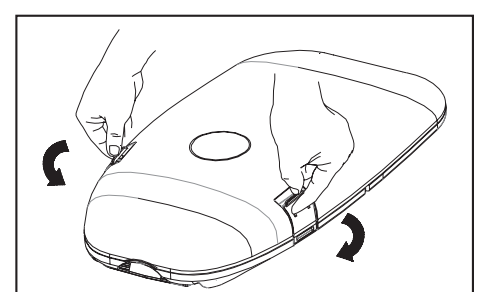
4. Wire and attach base to pole or tenon.

NOTE: Fixture body can be removed from base at any time. This allows for service to be performed on ground and not up on pole.

NOTE: When field installing photocell socket, reuse circular silicone gasket between photocell socket and luminaire body.



5. Attach body to base hinges at a 45° angle. Reconnect flat, three-pole connector, and close fixture.



6. Latch body closed and restore power to pole.



UL versions only



CE versions only