

# PML3 Paladin (Medium & Small)

## Installation Guide for PML3 Paladin Medium & Small Body Fixtures (90 W, 60 W, 40 W, 30 W)

### Installation

**NOTE:** Lockout and tagout power to pole before installing fixture.

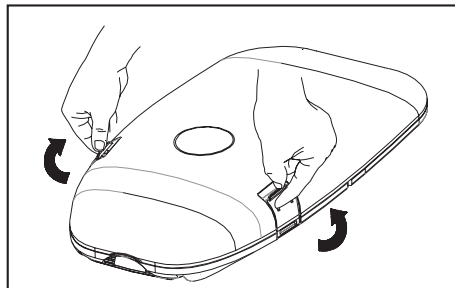
**CAUTION, risk of electric shock**



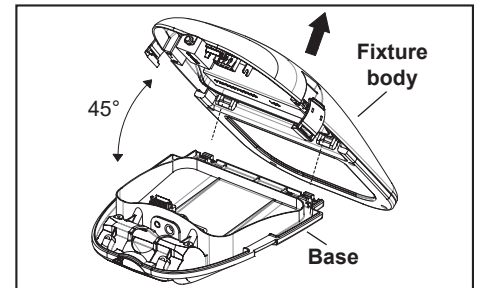
**Tools and supplies required:**

6 mm hex key, and 4 mm hex key.

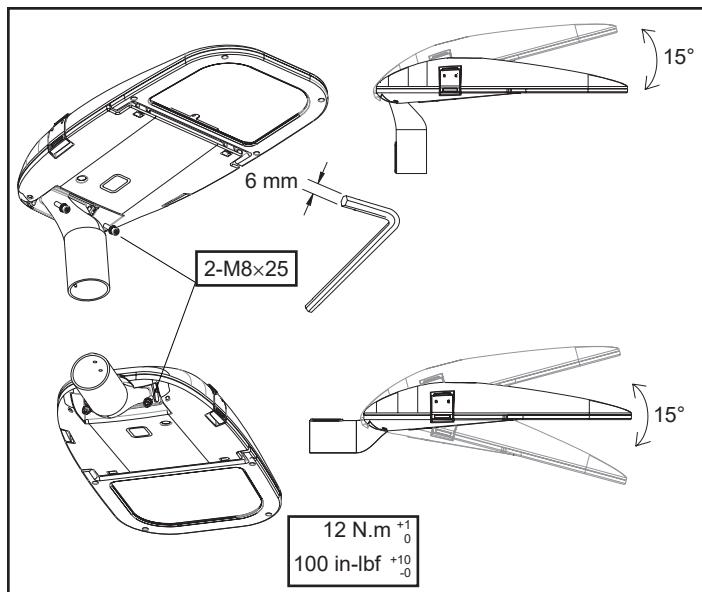
**NOTE:** Electrical connections must be performed by a qualified, licensed electrician.



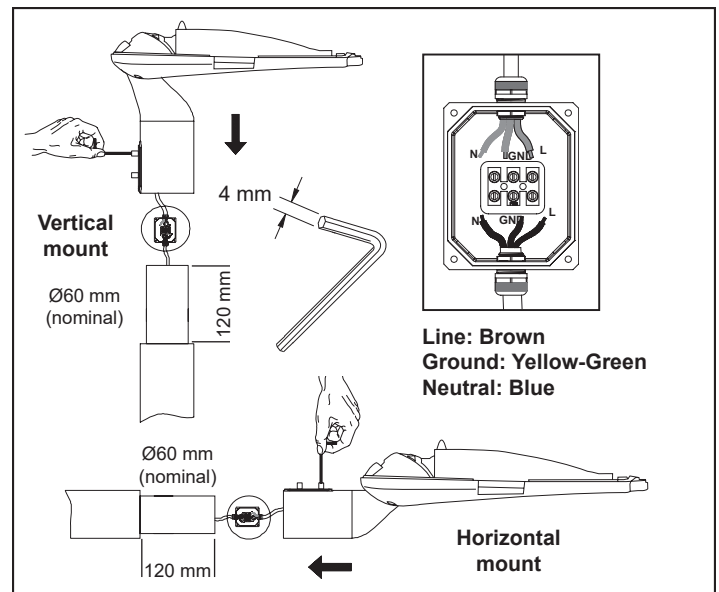
1. Unlock clamps on sides of luminaire.  
**NOTE:** When Small fixture is hinged open, power is automatically disconnected from fixture body.



2. Fixture body can be removed from base by tilting it to 45°, disconnecting primary power at flat, three-pole connector in Medium body fixtures, and pulling it off of hinges.  
**NOTE:** Most of fixture weight is in body.



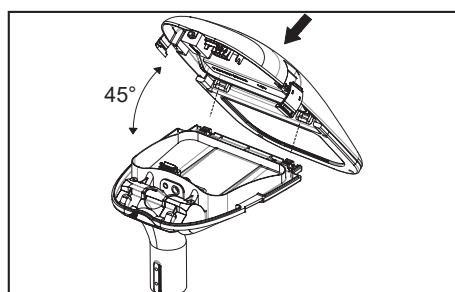
3. Install slipfitter to base in desired position. **NOTE:** Installing slipfitter is easier if base is removed from fixture body.



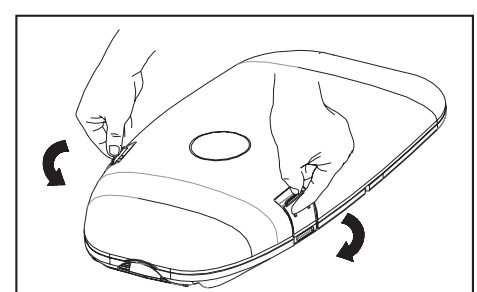
4. Wire and attach base to pole or tenon.

**NOTE:** Fixture body can be removed from base at any time. This allows for service to be performed on ground and not up on pole.

**NOTE:** When field installing photocell socket, reuse circular silicone gasket between photocell socket and luminaire body.



5. Attach body to base hinges at a 45° angle, and close Small fixture. Power is automatically reconnected when Small fixture is shut and power disconnect socket is fully closed. Reconnect flat, three-pole connector in Medium fixture, and close Medium fixture.



6. Latch body closed and restore power to pole.



UL versions only



CE versions only