

BRILLIANCE by DESIGN

Incandescent Lamp Replacement LEDs



Incandescent Lamp Replacement LEDs

Replace your standard incandescent lamps with long life, low power LEDs. These products are designed to be “drop in” replacements for the most popular miniature lamps in use today. Offered in a wide variety of colors and voltages, our incandescent replacement products will solve your bulb maintenance problems.

Table of Contents

Model 159	1
<i>Screw Base T-3 1/4 LED Lamp</i>	
Model 197	2
<i>T-3 1/4 Bayonette Base LED Lamp</i>	
Model 460	3
<i>S8 Machine Signal Stack Light</i>	
Model 510	4
<i>T-1 3/4 LED Direct Replacement for Flange Base Incandescent Lamp</i>	
Model 513	5
<i>T-1 3/4 LED Replacement for Incandescent Lamps</i>	
Model 516	6
<i>T-3 1/4 LED Replacement for Incandescent Lamps</i>	
Model 532	7
<i>T-1 3/4 LED Replacement for Midget Screw Base Incandescent Lamps</i>	

Model 159

Screw Base T-3 1/4 LED Lamp

Miniature screw base incandescent replacement LED for incandescent lamps. All models are dual polarity, which accommodate positive center, negative center and AC applications. This unit uses high brightness LEDs for maximum illumination at low power consumption.

- Direct replacement for: 27, 31, 40, 46, 50, 52, 432, 501, 1147, 509K, 1445, 1449
- E1 Base

Specifications

Warm Colors

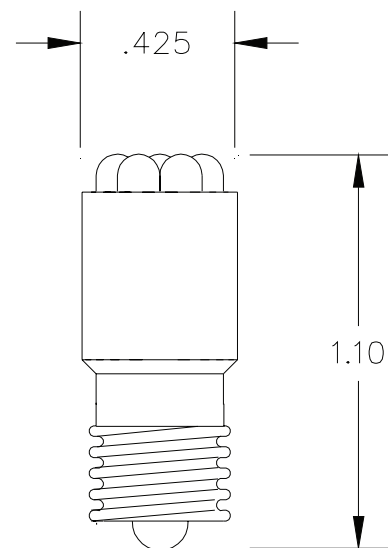
LED size	3 mm		
Lens color	Waterclear		
LED color	Red	Yellow	Amber
Typical luminous intensity	1000 MCD	500 MCD	1100 MCD
Viewing angle	30°	30°	30°
Wavelength	R660	Y592	O610

Cool Colors

LED size	3 mm			
Lens color	Waterclear			
LED color	Green	Ultra Green	Ultra Blue	White
Typical luminous intensity	350 MCD	2200 MCD	650 MCD	6000 MCD
Viewing angle	30°	30°	30°	50°
Wavelength	G565	G525	B470	-

Part number	Voltage
159-DP5X	5 V
159-DP12X	12 V
159-DP24X	24 V
159-DP28X	28 V
159-DP44X	44 V
159-DP48X	48 V
159-DP60X	60 V
159-DP120X	120 V

Where the 'X' appears insert:
 1-Red, 2-Green, 3-Yellow, 4-Amber,
 5-Ultra Green, 6-Ultra Blue, 7-Pure White



All dimensions are in inches.

HOW TO ORDER

Example:

159	-	5	1
MODEL NO.		VOLTAGE	COLOR

Model 197

T-3 1/4 Bayonette Base LED Lamp

BA9 base incandescent replacement LED for incandescent lamps. All models are dual polarity, which accommodate positive center, negative center and AC applications. This unit uses a cluster of high brightness LEDs for maximum illumination at low power consumption.

- Direct replacement for: 24MB, 28MB, 44, 47, 313, 356, 756, 1813, 1818, 1819, 1820, 1821, 1829, 1862, 1864, 1866, 1891



Specifications

Warm Colors

LED size	3 mm		
Lens color	Waterclear		
LED color	Red	Yellow	Amber
Typical luminous intensity	1000 MCD	500 MCD	1100 MCD
Viewing angle	30°	30°	30°
Wavelength	R660	Y592	O610

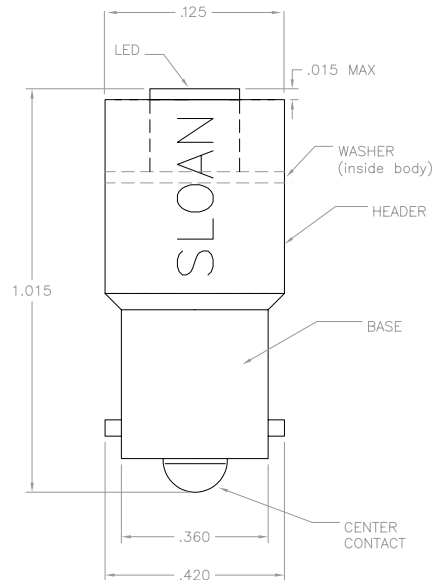
Cool Colors

LED size	5 mm			
Lens color	Waterclear			
LED color	Green	Ultra Green	Ultra Blue	White
Typical luminous intensity	350 MCD	2200 MCD	650 MCD	2500 MCD
Viewing angle	30°	30°	30°	110°
Wavelength	G565	G525	B470	-

Dual Polarity

Part number	Voltage	Part number	Voltage
197-DP5X	5 V	197-DP28X	28 V
197-DP6.3X	6.3 V	197-DP48X	48 V
197-DP12X	12 V	197-DP55X	55 V
197-DP14X	14 V	197-DP60X	60 V
197-DP24X	24 V	197-DP120X	120 V

Where the 'X' appears insert:
 1-Red, 2-Green,
 3-Yellow, 4-Amber,
 5-Ultra Green,
 6-Ultra Blue,
 7-Pure White



All dimensions are in inches.

HOW TO ORDER DUAL POLARITY Example:

197	DP	-	5	1
MODEL NO.	DUAL POLARITY		VOLTAGE	COLOR

HOW TO ORDER AC Example:

197	AC	-	28	1
MODEL NO.	AC		VOLTAGE	COLOR

HOW TO ORDER NEGATIVE CENTER Example:

197	NC	-	12	7
MODEL NO.	NEGATIVE CENTER		VOLTAGE	COLOR

Model 460

S8 Machine Signal Stack Light

Bayonet base LED stack light. 360 degree viewing angle. All models are dual polarity which accomodates positive center, negative center and AC applications.

- BA15D Double contact bayonet base

Specifications

LED size	5 mm
Lens color	Waterclear

Warm Colors

LED color	Red	Yellow	Amber
Typical luminous intensity	3000 MCD	3000 MCD	4000 MCD
Viewing angle	30°	22°	18°
Wavelength	R630	Y595	A605

Cool Colors

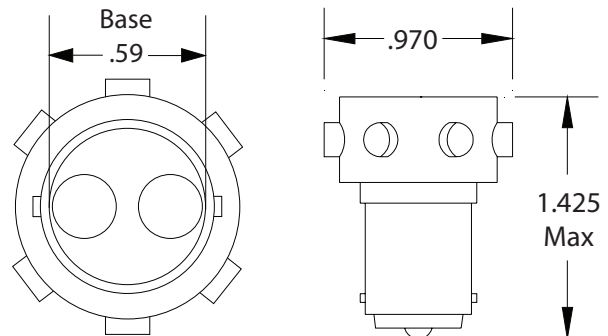
LED color	Green	Ultra Green	Ultra Blue	White
Typical luminous intensity	750 MCD	2200 MCD	650 MCD	6000 MCD
Viewing angle	22°	30°	30°	50°
Wavelength	G568	G525	B470	-

Part number	Voltage
460-24X	24 V
460-28X	28 V
460-60X	60 V
460-120X	120 V

Where the 'X' appears insert:
 1-Red, 2-Green, 3-Yellow, 4-Amber,
 5-Ultra Green, 6-Ultra Blue, 7-Pure White

HOW TO ORDER Example:

460	-	24	1
MODEL NO.		VOLTAGE	COLOR



All dimensions are in inches.

Model 510

T-1 3/4 LED Direct Replacement for Flange Base Incandescent Lamp

The 510 Model is an LED replacement for incandescent lamps in a variety of colors and voltages. Direct replacement for T-1 3/4 flange base incandescent lamps. Nickel plated base.

- Direct replacement for: 327, 328, 330, 332, 345, 349, 350, 356, 377, 380, 381, 382, 387, 394, 8918
- Available with negative center

Specifications

Model 510

LED size	5 mm
Lens color	Waterclear

Warm Colors

LED color	Red	Yellow	Amber
Typical luminous intensity	500 MCD	400 MCD	380 MCD
Viewing angle	40°	110°	100°
Wavelength	R660	Y595	O610

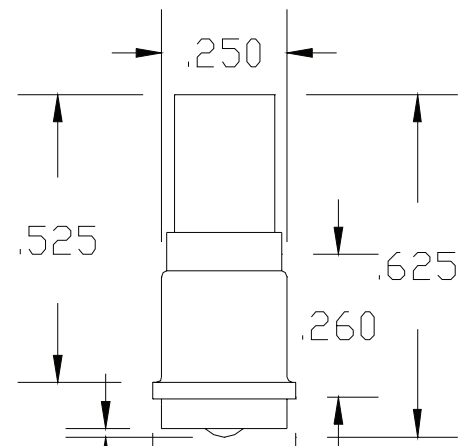
Cool Colors

LED color	Green	Ultra Green	Ultra Blue	White
Typical luminous intensity	16 MCD	2200 MCD	250 MCD	6000 MCD
Viewing angle	40°	30°	30°	50°
Wavelength	G565	G525	B470	-

Positive Center

Part number	Voltage
510-5X	5 VDC
510-12X	12 VDC
510-14X	14 VDC
510-24X	24 VDC
510-28X	28 VDC

Where the 'X' appears insert:
 1-Red, 2-Green,
 3-Yellow, 4-Amber,
 5-Ultra Green, 6-Ultra
 Blue, 7-Pure White



All dimensions are in inches.

HOW TO ORDER

Example:

510 - 5 1

MODEL NO.

VOLTAGE

COLOR

Model 513

T-1 3/4 LED Replacement for Incandescent Lamps

T-1 3/4 Wedge base LED. Direct replacement for T-1 3/4 wedge base incandescent lamps.

- Direct replacement for: 11, 17, 18, 37, 56, 73, 74, 79, 84, 85 and 86

Specifications

LED size	5 mm
Lens color	Waterclear

Warm Colors

LED color	Red	Yellow	Amber
Typical luminous intensity	3000 MCD	900 MCD	250 MCD
Viewing angle	30°	30°	30°
Wavelength	R660	Y595	O610

Cool Colors

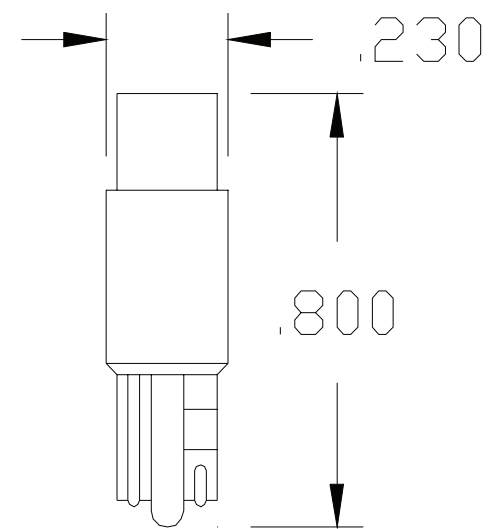
LED color	Green	Ultra Green	Ultra Blue	White
Typical luminous intensity	500 MCD	2200 MCD	650 MCD	6000 MCD
Viewing angle	30°	30°	30°	50°
Wavelength	G574	G525	B470	-

Part number	Voltage
513-5X	5 VDC
513-603X	6.3 VDC
513-12X	12 VDC
513-14X	14 VDC
513-24X	24 VDC
513-28X	28 VDC

Where the 'X' appears insert:
 1-Red, 2-Green, 3-Yellow, 4-Amber,
 5-Ultra Green, 6-Ultra Blue, 7-Pure White

HOW TO ORDER
 Example:

513	-	5	-	1
MODEL NO.		VOLTAGE		COLOR



All dimensions are in inches.

Model 516

T-3 1/4 LED Replacement for Incandescent Lamps

Direct replacement for the T-3 1/4 wedge base bi-pin incandescent lamps.

- Direct replacement for: 124, 147, 152, 158, 159, 161, 168, 184, 190, 192-194, 259, 280, 285, 400, 444, 447, 464, 555, 585, 655, 656, 657, 658, 740, 758, 947, 3-501, 3-504, 3-505, 3-507

Specifications

LED size	5 mm
Lens color	Waterclear

Warm Colors

LED color	Red	Yellow	Amber
Typical luminous intensity	4000 MCD	3000 MCD	4000 MCD
Viewing angle	22°	22°	18°
Wavelength	R660	Y595	A605

Cool Colors

LED color	Green	Ultra Green	Ultra Blue	White
Typical luminous intensity	750 MCD	2200 MCD	650 MCD	6000 MCD
Viewing angle	22°	30°	30°	50°
Wavelength	G568	G525	B470	-

Part number	Voltage
516-205X*	2.5 VDC
516-5X	5 VDC
516-603X	6.3 VDC
516-12X	12 VDC
516-14X	14 VDC
516-24X	24 VDC
516-28X	28 VDC

Where the 'X' appears insert:
 1-Red, 2-Green, 3-Yellow, 4-Amber, 5-Ultra Green, 6-Ultra Blue, 7-Pure White

* External resistor required.

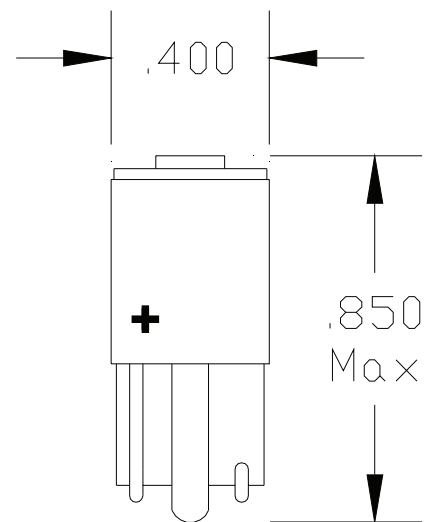
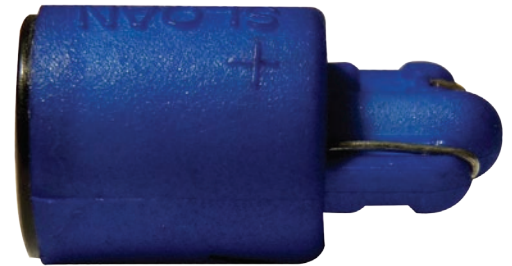
HOW TO ORDER Example:

516 - 5 1

MODEL NO.

VOLTAGE

COLOR



All dimensions are in inches.

Model 532

T-1 3/4 LED Replacement for Midget Screw Base Incandescent Lamps

T-1 3/4 midget screw base incandescent replacement
LED utilizes the brightest LEDs.

- Positive center
- Direct replacement for: 335, 342, 369, 373, 378, 383, 399, 1768, 1775, 8362, 8369, 8384

Specifications

LED size	5 mm
Lens color	Waterclear

Warm Colors

LED color	Red
Typical luminous intensity	7300 MCD
Viewing angle	13°
Wavelength	R635

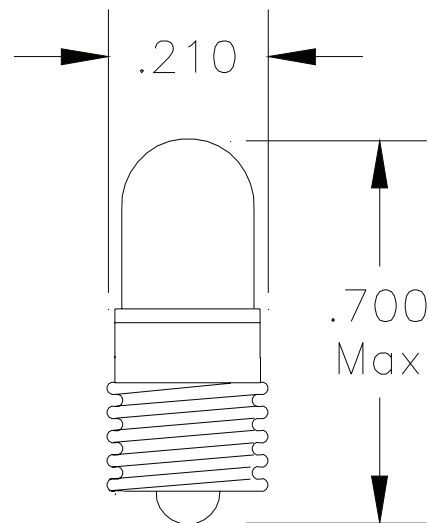
Cool Colors

LED color	Green	Ultra Green	Ultra Blue	White
Typical luminous intensity	2200 MCD	2200 MCD	400 MCD	6000 MCD
Viewing angle	20°	30°	20°	50°
Wavelength	G575	G525	B430	-

Part number	Voltage
532-5X	5 VDC
532-6X	6 VDC
532-12X	12 VDC
532-14X	14 VDC
532-28X	28 VDC

Where the 'X' appears insert:
1-Red, 2-Green, 5-Ultra Green,
6-Ultra Blue, 7-Pure White

HOW TO ORDER		
Example:		
532	-	5
MODEL NO.	VOLTAGE	COLOR



All dimensions are in inches.



SloanLED.com • info@SloanLED.com

SloanLED Corporate Headquarters
Toll-Free 888.747.4LED • Tel 805.676.3200 • Fax 805.676.3206
SloanLED Europe
Tel +31 88 12 44 900 • Europe@SloanLED.com

Connect with us:

