

Brilliance by Design

Panel Mount Indicator Lighting



SloanLED[®]
Leaders in LED Technology

Panel Mount Indicator Lights

SloanLED has been a leader in panel mount indicator lights for over 40 years. Our products cover a broad range of indicator types: metal body, plastic body, front relampable, rear relampable, fixed lamp, wire leads, QC terminals, screw in, snap mount, splashproof, incandescent and LED lamps, etc. Voltages range from 2 VDC to 120 VAC. We offer the brightest LEDs available in both our standard and custom indicator lights.

Table of Contents

Model 102	1
T-1 Panel Mount Front Re-Lampable Incandescent	
Model 103	2
1/4" Panel Mount, Fixed Lamp LED	
Model 105	3
T-1 Panel Mount, Fixed Lamp LED	
Model 106	4
T-1 3/4 Front or Rear Panel Mount LED	
Model 109	5
T-1 Panel Mount, Fixed Lamp LED	
Model 150	6
T-1 Panel Mount LED Indicator	
Model 205	7
T-1 Panel Mount Fixed Lamp LED	
Model 206	8
T-1 3/4 Panel Mount Fixed Lamp LED	
Model 207	9
T-1 3/4 Panel Mount Fixed Lamp LED	
Model 240	10
T-1 3/4 Panel Mount LED Indicator	
Model 245	11
T-1 3/4 Bi-color (Red/Green) Panel Mount Non-relampable LED Indicator	
Model 252	12
T-1 3/4 Panel Mount Non-relampable LED	
Model 253	13
T-1 3/4 Splashproof, Panel Mount Indicator	
Model 255	14
T-1 3/4 Panel Mount Non-relampable, Red/Green LED	
Model 444	15
5/16" Low Profile, Splashproof, Front Mounting Indicator	
Model 500	16
1/2" Panel Mount, Non-Relampable LED Snap Mount Indicator	
Model 621	17
Metal Bodied Front Mountable LED Indicator	
Model 855	18-19
T-1 3/4 Panel Mount Front Relampable Incandescent or LED	

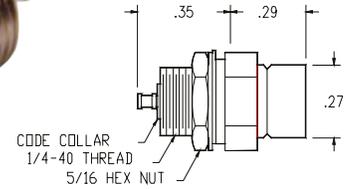
Model 102

T-1 Panel Mount Front Re-Lampable Incandescent

102-S (Standard Body)

Suggested mounting diameter 1/4"

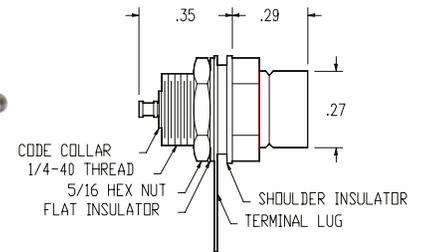
Utilizes the extremely reliable T-1 Midget Flanged-Based incandescent bulb. Recommended for installation where indicator lights must be mounted close together. An internal silicone rubber pressure pad maintains electrical contact inside the lamp body. Because of its high spring rate, the pad cannot take a permanent set. It also provides an effective front-to-back moisture seal.



102-SI (Insulated Body)

Suggested mounting diameter 5/16"

This two-terminal version of the basic 102 Model. Special insulating hardware prevents moisture from leaking through the panel mounting hole. Electrical contact with the indicator light body is made by means of a solder lug.



All dimensions are in inches.

Lens Styles

Clear anodized bezel allows 180° visibility.	Q	
Same as Q lens except with black anodized bezel.	QB	
Clear anodized bezel prevents sidelight emission.	DSC	
Same as DSC lens except with black anodized bezel.	DS	
Full 180° visibility and maximum illumination.	STD	
White dome lens. 1/2" diameter.	700363	

Lens Colors Nylon	Lens Colors Lexan	
	Transparent	Translucent
R - Red	RTP - Red	RTL - Red
A - Amber	ATP - Amber	ATL - Amber
G - Green	GTP - Green	GTL - Green
B - Blue	BTP - Blue	BTL - Blue
W - White	CTP - Clear	WTL - White

HOW TO ORDER

Example:

102	-	S	-	STD	-	R	-	FB 44*
MODEL NO.		BODY STYLE		LENS STYLE		LENS COLOR		LAMP

*See Incandescent Lamp spec sheet.

Model 103

1/4" Panel Mount, Fixed Lamp LED

The 103 Model is designed specifically for applications requiring LED indication without the use of a lens. The unique feature of the 103 Model is that it provides brightness in the smallest threaded metal body available in the industry. Terminations by wire leads suitable for soldering. Built-in resistors allow these units to be powered from sources up to 28 VDC.

- Suggested mounting diameter 1/4" (0.250")
- Metal body
- Built in resistor
- No lens for maximum viewing angle
- 6" Wire leads (24 AWG)
- Or wire wrap posts
 - Long lead: Anode (+)
 - Short lead: Cathode (-)
- 5/16" Hex nut

Specifications

LED size	5 mm
Lens color	Waterclear

Warm Colors

LED color	Red	Yellow	Amber
Typical luminous intensity	45 MCD	35 MCD	25 MCD
Viewing angle	45°	32°	45°
Wavelength	R635	Y585	Y585

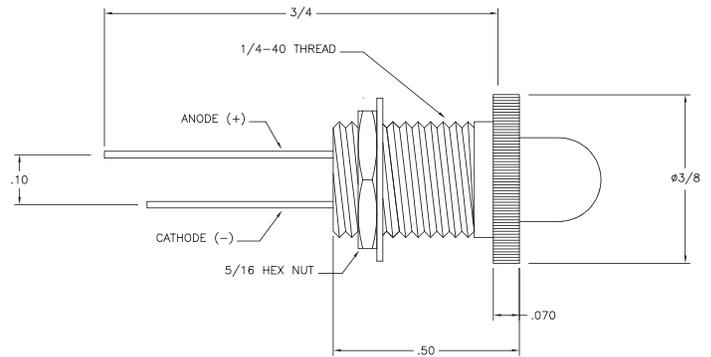
Cool Colors

LED color	Green	Ultra Green	Ultra Blue	White
Typical luminous intensity	25 MCD	2200 MCD	650 MCD	6000 MCD
Viewing angle	45°	30°	30°	50°
Wavelength	G565	G525	B470	-

Part Numbering

Part number	Voltage
103-5X	5 VDC
103-12X	12 VDC
103-24X	24 VDC
103-28X	28 VDC

Where the 'X' appears insert:
 1-Red, 2-Green, 3-Yellow, 4-Amber,
 5-Ultra Green, 6-Ultra Blue, 7-Pure White



All dimensions are in inches.

HOW TO ORDER		
Example:		
103	-	5
1		
MODEL NO.	VOLTAGE	COLOR

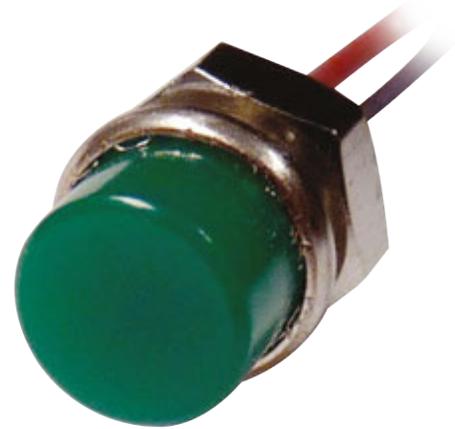
Model 105

T-1 Panel Mount, Fixed Lamp LED

- T-1 unbased LED
- Suggested mounting diameter 5mm (0.196")
- Metal body
- 6" wire leads (26 AWG)

Specifications

LED size	3 mm	
Lens color	Diffused	
LED color	Red	Green
Typical luminous intensity	100 MCD	12.5 MCD
Viewing angle	60°	60°
Wavelength	R660	G565

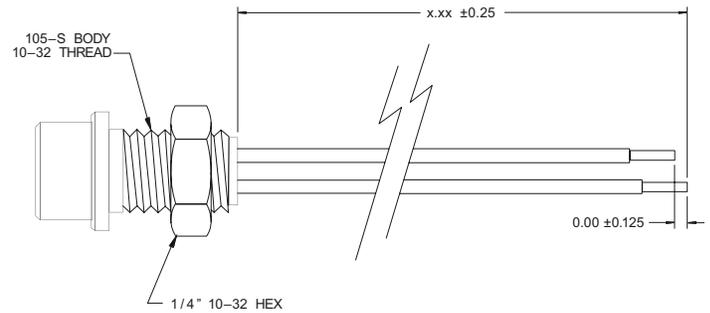


Part Numbering

Part number	Voltage
105-12X	12 VDC
105-28X	28 VDC

Where the 'X' appears insert:
1-Red, 2-Green

HOW TO ORDER		
Example:		
105	-	12
MODEL NO.		VOLTAGE
		1
		COLOR

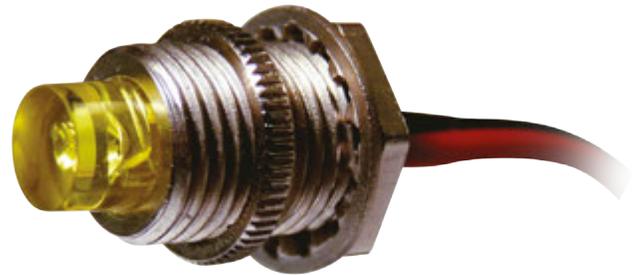


All dimensions are in inches.

Model 106

T-1 3/4 Front or Rear Panel Mount LED

- 5/16" Mounting hole diameter
- Standard models: Flat top 5 mm LED
Ultra models: Domed 5 mm LED
- Metal body
- Built in resistor
- No lens for maximum viewing angle
- 6" wire leads (24 AWG)
 - Red lead: Anode (+)
 - Black lead: Cathode (-)



Specifications

LED size		5 mm
Lens color	Standard	Transparent with color tint
	Lens color	Waterclear

Warm Colors

LED color		Red	Amber/Yellow
Typical luminous intensity (mcd)	≤ 12 V	500	700
	≥ 24 V	250	350
Viewing angle		110°	110°
Wavelength [λdom] (nm)		625	592

Cool Colors

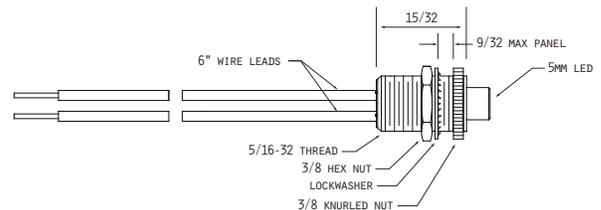
LED color		Green	Ultra Green	Ultra Blue	White
Typical luminous intensity (mcd)	≤ 12 V	20	11520	4700	6150
	≥ 24 V	10			
Viewing angle		110°	30°	30°	50°
Wavelength [λdom] (nm)		570	525	470	-

Part Numbering

Part number	Voltage
106-2X	2 VDC*
106-5X	5 VDC
106-12X	12 VDC
106-24X	24 VDC
106-28X	28 VDC

Where the 'X' appears insert:
1-Red, 2-Green, 3-Yellow, 4-Amber,
5-Ultra Green, 6-Ultra Blue, 7-Pure White

*External resistor required.



All dimensions are in inches.

HOW TO ORDER

Example:

106	-	5	1
MODEL NO.		VOLTAGE	COLOR

Model 109

T-1 Panel Mount, Fixed Lamp LED

- 5 mm Mounting hole diameter
- Flush mount
- Metal body
- Built in resistor
- 6" wire leads (26 AWG)
- 40° draft angle
- 0.087" draft angle width
- T-1 LED



Specifications

LED size	3 mm
----------	------

Warm Colors

LED color	Red	Yellow	Amber
Typical luminous intensity	100 MCD	12.5 MCD	20 MCD
Wavelength	R660	Y585	O605

Cool Colors

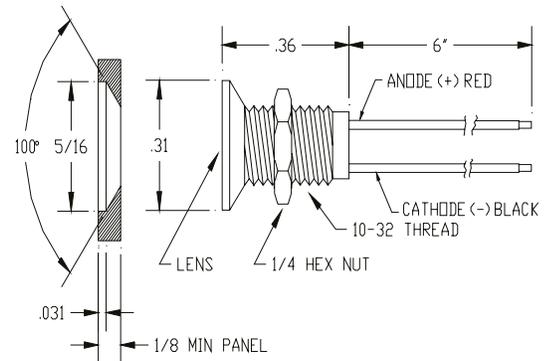
LED color	Green	Ultra Green	Ultra Blue	White
Typical luminous intensity	12.5 MCD	1700 MCD	500 MCD	630 MCD
Wavelength	G565	G525	B470	-

Part Numbering

Part number	Voltage
109-2X	2 VDC*
109-5X	5 VDC
109-12X	12 VDC
109-24X	24 VDC
109-28X	28 VDC

Where the 'X' appears insert:
 1-Red, 2-Green, 3-Yellow, 4-Amber,
 5-Ultra Green, 6-Ultra Blue, 7-Pure White

*External resistor required.



All dimensions are in inches.

HOW TO ORDER

Example:

109 - 5 1

MODEL NO.

VOLTAGE

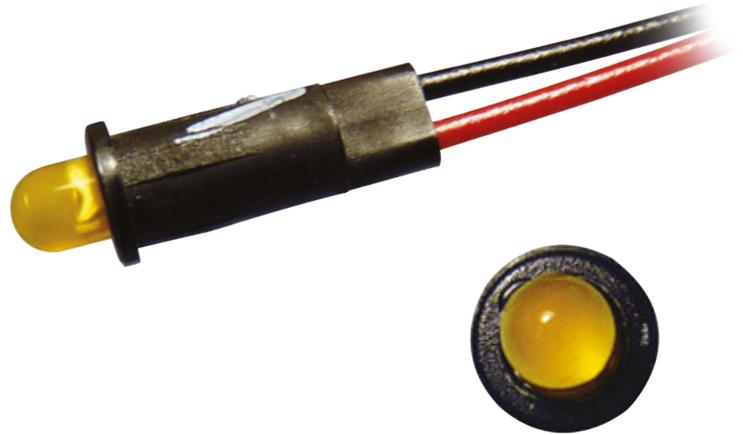
COLOR

Model 150

T-1 Panel Mount LED Indicator

The 150 Model incorporates a non-relampable diffused LED in a choice of colors. For panel mounting through a 5/32" (0.156") dia. hole; snap fits, needs no mounting hardware.

- Supplied with 6" wire leads (26 AWG)
- Uses T-1 LED
- No lens for maximum viewing angle
- Fits 1/8" panel thickness



Specifications

LED size	3 mm
----------	------

Warm Colors

LED color	Red	Yellow	Amber
Lens color	Diffused	Diffused	Diffused
Typical luminous intensity	100 MCD	12.5 MCD	20 MCD
Viewing angle	60°	60°	30°
Wavelength	R660	Y585	O605

Cool Colors

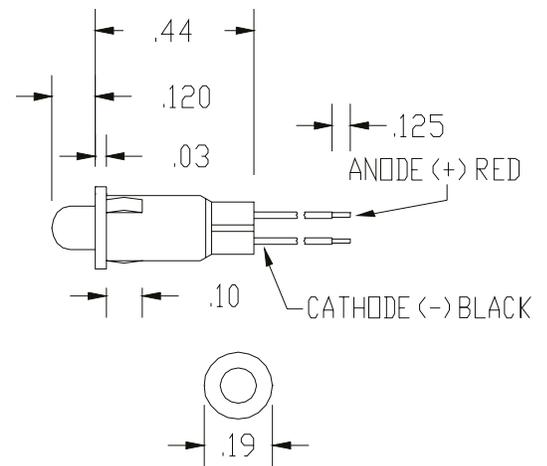
LED color	Green	Ultra Green	Ultra Blue	White
Lens color	Diffused	Waterclear	Waterclear	Waterclear
Typical luminous intensity	12.5 MCD	1700 MCD	500 MCD	630 MCD
Viewing angle	60°	30°	30°	30°
Wavelength	G565	G525	B470	-

Part Numbering

Part number	Voltage
150-2X	2 VDC*
150-5X	5 VDC
150-12X	12 VDC
150-14X	14 VDC
150-24X	24 VDC
150-28X	28 VDC

Where the 'X' appears insert:
 1-Red, 2-Green, 3-Yellow, 4-Amber,
 5-Ultra Green, 6-Ultra Blue, 7-Pure White

*External resistor required.



All dimensions are in inches.

HOW TO ORDER

Example:

150	-	5	1
MODEL NO.		VOLTAGE	COLOR

Model 205

T-1 Panel Mount Fixed Lamp LED

This Series incorporates a T-1 size LED in an all metal threaded body. Lamp supplied with flat Lexan transparent lens the same color as the LED and 6" wire leads (26 AWG).

- Mounting hole diameter: 1/4" (0.25")

Specifications

LED size	3 mm
----------	------

Warm Colors

LED color	Red	Yellow/Amber
Lens color	Diffused	Diffused
Typical luminous intensity	100 MCD	20 MCD
Viewing angle	60°	60°
Wavelength	R660	O605

Cool Colors

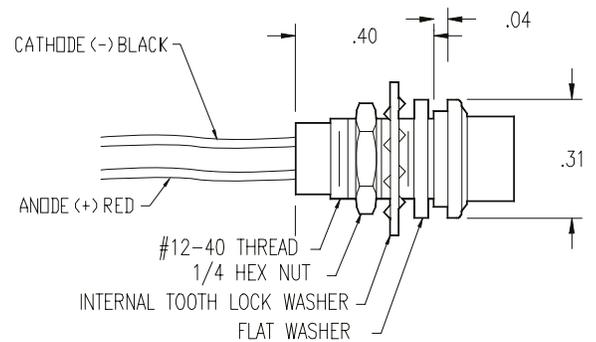
LED color	Green	Ultra Green	Ultra Blue	White
Lens color	Diffused	Waterclear	Waterclear	Waterclear
Typical luminous intensity	12.5 MCD	1700 MCD	500 MCD	630 MCD
Viewing angle	60°	30°	30°	30°
Wavelength	G565	G525	B470	-

Part Numbering

Part number	Voltage
205-2X	2 VDC*
205-5X	5 VDC
205-12X	12 VDC
205-24X	24 VDC
205-28X	28 VDC

Where the 'X' appears insert:
 1-Red, 2-Green, 3-Yellow, 4-Amber,
 5-Ultra Green, 6-Ultra Blue, 7-Pure White

*External resistor required.



All dimensions are in inches.

HOW TO ORDER

Example:

205 - 5 1

MODEL NO.

VOLTAGE

COLOR

Model 206

T-1 3/4 Panel Mount Fixed Lamp LED

The 206 Model incorporates a red, green or amber T-1 3/4 size LED in an all-metal threaded body suitable for panel mounting. Large lens for maximum visibility. Termination is by wirewrap™ posts (suitable for soldering), or wire leads.

- Panel mount in 1/4" (0.250") diameter hole
- Supplied with 6" wire leads (26 AWG):
- Or wire wrap posts
 - Long Lead = Anode (+), Short Lead = Cathode (-)
- Nickel plated brass body

Specifications

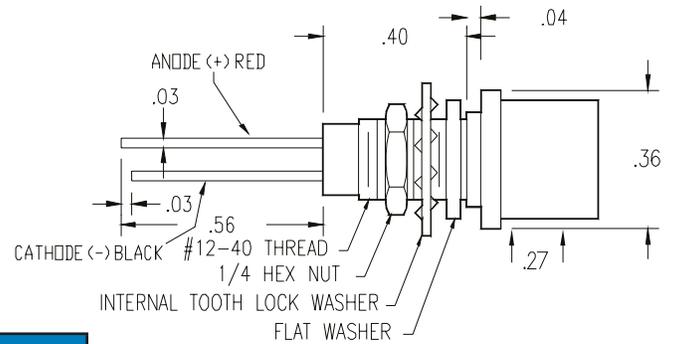
LED size	5 mm
Viewing angle	45°

LED color	Red	Green	Amber
Typical luminous intensity	45 MCD	25 MCD	25 MCD
Wavelength	R635	G565	Y585

LED color	Terminals	Lens color	
		Transparent	Translucent
R - Red	W - Wire wrap™	RTP - Red	RTL - Red
G - Green	L - Wire leads	BTP - Blue	BTL - Blue
A - Amber		GTP - Green	GTL - Green
		ATP - Amber	ATL - Amber
		CTP - Clear	WTL - White

HOW TO ORDER								
Example:								
206	-	A	-	W	-	RTP	-	5/20*
MODEL NO.		LED COLOR		TERMINALS		LENS COLOR		VOLTAGE

*To order without internal resistor, omit callout for voltage and current.



All dimensions are in inches.

Model 207

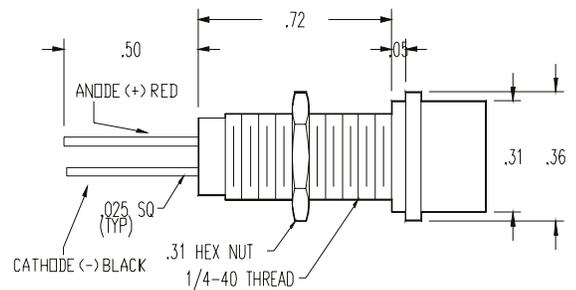
T-1 3/4 Panel Mount Fixed Lamp LED

Large lens for maximum visibility. Lenses are available in transparent or translucent material. Built-in resistors allow these units to be powered from sources up to 28 VDC.

- T-1 3/4 LED
- Panel mount in 5/16" (.3125") diameter hole
- 6" wire leads (26 AWG)



LED color	Terminals	Lens color		Lens
		Transparent	Translucent	
R - Red	W - Wire wrap™ posts	RTP - Red	RTL - Red	L - Fresnel rings
G - Green	L - Wire leads	GTP - Green	GTL - Green	P - Plain
A - Amber		ATP - Amber	ATL - Amber	
UG - Ultra Green		BTP - Blue	BTL - Blue	
B - Blue		CTP - Clear	WTL - White	
W - White				



Where the 'X' appears insert:
1-Red, 2-Green, 3-Yellow, 4-Amber, 5-Ultra Green, 6-Ultra Blue, 7-Pure White

All dimensions are in inches.

HOW TO ORDER
Example:

207 - R - W - RTP - L - 5/15*

MODEL NO.	LED COLOR	TERMINALS	LENS COLOR	LENSING	VOLTAGE/CURRENT (mA)
-----------	-----------	-----------	------------	---------	----------------------

D-Flat body style available at additional cost. If no preference indicated in order, round body will be supplied.
*To order without internal resistor, omit callout for voltage and current.

Model 240

T-1 3/4 Panel Mount LED Indicator

The 240 Model incorporates a non-relampable diffused LED in a choice of colors. For panel mounting through a 1/4" (0.250") dia. hole; snap fits, needs no mounting hardware.

- Snap mounts in 1/4" (0.25") diameter hole
- Supplied with 6" wire leads (24 AWG)
- Uses T-1 3/4 LED (5 mm)
- No lens for maximum viewing angle
- Fits 1/8" panel thickness



Specifications

LED size	5 mm
----------	------

Warm Colors

LED color	Red	Yellow	Amber
Lens color	Diffused	Diffused	Diffused
Typical luminous intensity	20 MCD	20 MCD	20 MCD
Viewing angle	60°	60°	60°
Wavelength	R635	Y585	O605

Cool Colors

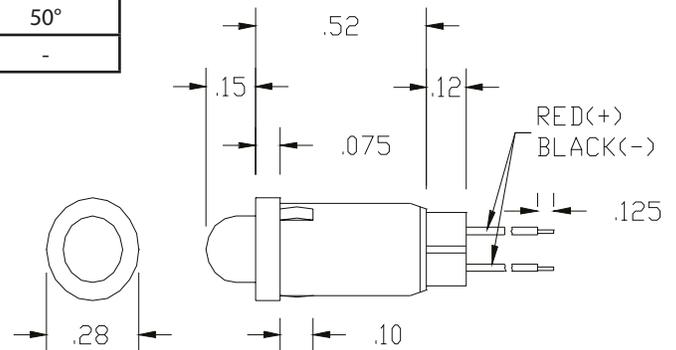
LED color	Green	Ultra Green	Ultra Blue	White
Lens color	Diffused	Waterclear	Waterclear	Waterclear
Typical luminous intensity	15 MCD	2200 MCD	650 MCD	6000 MCD
Viewing angle	60°	30°	30°	50°
Wavelength	G565	G525	B470	-

Part Numbering

Part number	Voltage
240-2X	2 VDC*
240-5X	5 VDC
240-12X	12 VDC
240-14X	14 VDC
240-24X	24 VDC
240-28X	28 VDC

Where the 'X' appears insert:
 1-Red, 2-Green, 3-Yellow, 4-Amber,
 5-Ultra Green, 6-Ultra Blue, 7-Pure White

*External resistor required.



All dimensions are in inches.

HOW TO ORDER

Example:

240 - 5 1

MODEL NO.

VOLTAGE

COLOR

Model 245

T-1 3/4 Bi-color (Red/Green) Panel Mount Non-relampable LED Indicator

- Snap mounts in 1/4" (0.25") diameter hole
- Supplied with 6" wire leads (24 AWG)
- No lens for maximum viewing angle
- Fits 1/8" panel thickness

Specifications

LED size	5 mm
----------	------

LED color	Red/Green
Lens color	Diffused
Typical luminous intensity	15 MCD
Viewing angle	120°
Wavelength	R635/G565



Part Numbering

Part number	Voltage
245-2-R/G	2 VDC*
245-5-R/G	5 VDC
245-12-R/G	12 VDC
245-24-R/G	24 VDC
245-28-R/G	28 VDC

*External resistor required.

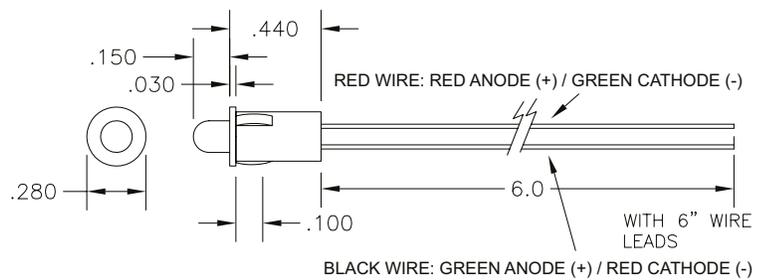
HOW TO ORDER Example:

245 - 5 - R/G

MODEL NO.

VOLTAGE

COLOR



All dimensions are in inches.

Model 252

T-1 3/4 Panel Mount Non-relampable LED

The 252 Model incorporates a non-relampable T-1 3/4 LED in a variety of colors. Black anodized aluminum for neat panel appearance. No lens for maximum viewing angle.

- Panel mount in 5/16" (0.312") diameter hole
 - Hardware includes hex nut and lock washer
 - Supplied with 6" wire leads (24 AWG)
 - Other lead lengths available.
- Contact us for more information.



Specifications

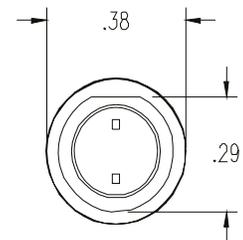
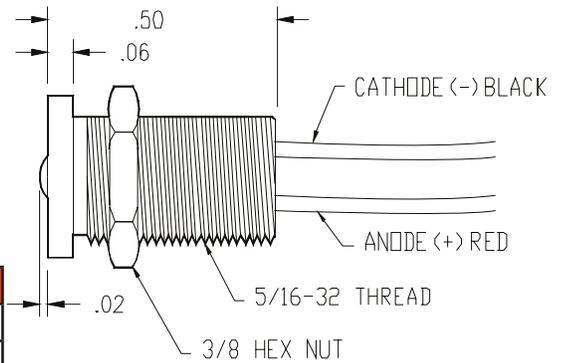
LED size	5 mm
----------	------

Warm Colors

LED color	Red	Yellow	Amber
Lens color	Diffused	Diffused	Diffused
Typical luminous intensity	200 MCD	20 MCD	20 MCD
Viewing angle	60°	60°	60°
Wavelength	R660	Y585	O605

Cool Colors

LED color	Green	Ultra Green	Ultra Blue	White
Lens color	Diffused	Waterclear	Waterclear	Waterclear
Typical luminous intensity	15 MCD	2200 MCD	650 MCD	6000 MCD
Viewing angle	60°	30°	30°	50°
Wavelength	G565	G525	B470	-



All dimensions are in inches.

Part Numbering

Part number	Voltage
252-2X	2 VDC*
252-5X	5 VDC
252-12X	12 VDC
252-14X	14 VDC
252-24X	24 VDC
252-28X	28 VDC

Where the 'X' appears insert:
 1-Red, 2-Green, 3-Yellow, 4-Amber,
 5-Ultra Green, 6-Ultra Blue, 7-Pure White
 *External resistor required.

HOW TO ORDER

Example:

252	-	5	1
MODEL NO.		VOLTAGE	COLOR

Model 253

T-1 3/4 Splashproof, Panel Mount Indicator

Same features as 252 but with O-ring for sealing panel from water & dust.

- Panel mount in 5/16" (0.312") diameter hole
- Black anodized aluminum body
- No lens for maximum viewing angle
- Supplied with 6" wire leads (24 AWG)



Specifications

LED size	5 mm
----------	------

Warm Colors

LED color	Red	Yellow	Amber
Lens color	Waterclear	Diffused	Diffused
Typical luminous intensity	160 MCD	20 MCD	20 MCD
Wavelength	R660	Y585	O605

Cool Colors

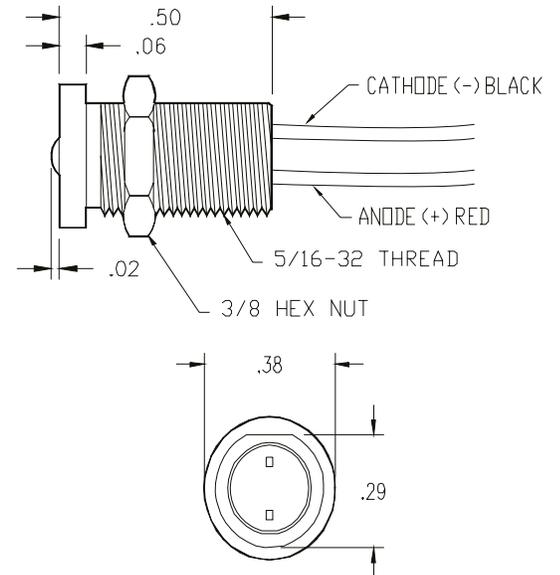
LED color	Green	Ultra Green	Ultra Blue	White
Lens color	Diffused	Diffused	Waterclear	Waterclear
Typical luminous intensity	15 MCD	2200 MCD	650 MCD	20 MCD
Wavelength	G565	G525	B470	-

Part Numbering

Part number	Voltage
253-2X	2 VDC*
253-5X	5 VDC
253-12X	12 VDC
253-24X	24 VDC
253-28X	28 VDC

Where the 'X' appears insert: 1-Red, 2-Green, 3-Yellow, 4-Amber, 5-Ultra Green, 6-Ultra Blue, 7-Pure White

*External resistor required.



All dimensions are in inches.

HOW TO ORDER		
Example:		
253	-	5 1
MODEL NO.	VOLTAGE	COLOR

Model 255

T-1 3/4 Panel Mount Non-relampable, Red/Green LED

- 5/16" (0.312") diameter mounting hole
- Black anodized aluminum body
- Hex nut, lock washer and insulator
- Three 6" (standard) wire leads (24 AWG)
- No lens for maximum viewing angle

Specifications

LED size	5 mm
Lens color	Diffused
Viewing angle	60°

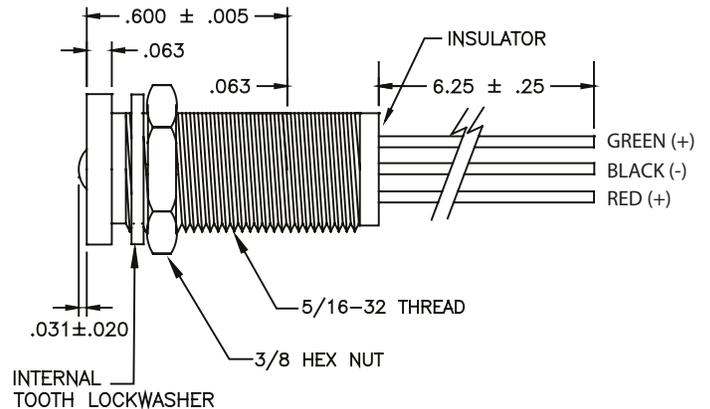
LED color	Red	Green
Typical luminous intensity	20 MCD	15 MCD
Wavelength	R635	G565



Part Numbering

Part number	Voltage
255-2-R/G	2 VDC*
255-5-R/G	5 VDC
255-12-R/G	12 VDC
255-24-R/G	24 VDC
255-28-R/G	28 VDC

*External resistor required.



All dimensions are in inches.

Model 444

5/16" Low Profile, Splashproof, Front Mounting Indicator

This Splashproof front mounting indicator is a low profile design with a bright LED. O-ring supplied to seal between the panel and indicator from dust and water.

- Splashproof
- Panel mount in 5/16" (0.312) diameter hole
- Supplied with 6" wire leads (24 AWG)



Specifications

LED size	5 mm
Lens color	Waterclear

Warm Colors

LED color	Red	Yellow	Amber
Typical luminous intensity	4000 MCD	3000 MCD	4000 MCD
Wavelength	R660	Y595	A605
Viewing angle	22°	22°	18°

Cool Colors

LED color	Green	Ultra Green	Ultra Blue	White
Typical luminous intensity	750 MCD	2200 MCD	2200 MCD	6000 MCD
Wavelength	G568	G525	B470	-
Viewing angle	22°	30°	30°	50°

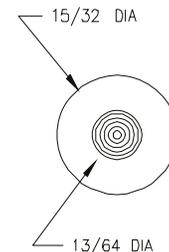
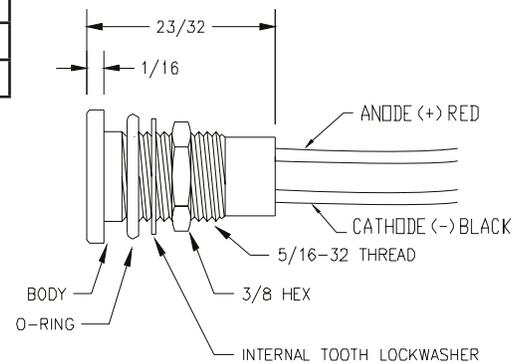
Part Numbering

Part number	Voltage
444-2X	2 VDC*
444-5X	5 VDC
444-12X	12 VDC
444-24X	24 VDC
444-28X	28 VDC

Where the 'X' appears insert: 1-Red, 2-Green, 3-Yellow, 4-Amber, 5-Ultra Green, 6-Ultra Blue, 7-Pure White

*External resistor required.

HOW TO ORDER			
Example:			
444	-	5	1
MODEL NO.		VOLTAGE	COLOR



All dimensions are in inches.

Model 500

1/2" Panel Mount, Non-Relampable LED Snap Mount Indicator

The 500 Model incorporates a non-relampable T-1 3/4 size LED or incandescent lamp. Snap fits, needs no mounting hardware. Transparent lens for maximum viewing angle.

- Snaps mounts in 1/2" (0.500") diameter hole
- Supplied standard with 6" wire leads (18 AWG), or .187" QC terminals
- Fits 1/8" panel thickness



Specifications

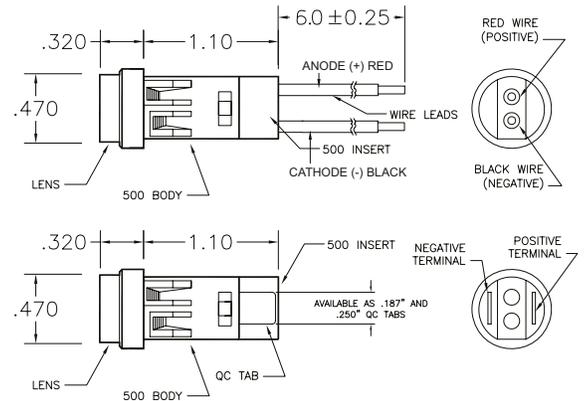
LED size	5 mm
Lens color	Waterclear

Warm Colors

LED color	Red	Yellow	Amber
Typical luminous intensity	500 MCD	400 MCD	380 MCD
Viewing angle	40°	110°	100°
Wavelength	R660	Y595	O610

Cool Colors

LED color	Green	Ultra Green	Ultra Blue	White
Typical luminous intensity	16 MCD	2200 MCD	650 MCD	6000 MCD
Viewing angle	40°	30°	30°	50°
Wavelength	G565	G525	B470	-



All dimensions are in inches.

HOW TO ORDER: INCANDESCENT			
6" Lead Termination		0.187" QC Termination	
Part number	Voltage	Part number	Voltage
5001-5X6	5 VDC	5001-5XQC	5 VDC
5001-12X6	12 VDC	5001-12XQC	12 VDC
5001-24X6	24 VDC	5001-24XQC	24 VDC
5001-28X6	28 VDC	5001-28XQC	28 VDC

Where the 'X' appears insert: 1-Red, 2-Green, 3-Yellow, 4-Amber, 5-Ultra Green, 6-Ultra Blue, 7-Pure White

HOW TO ORDER: LED			
6" Lead Termination		0.250" QC Termination	
Part number	Voltage	Part number	Voltage
5002-5X6	5 VDC	5002-5XQC	5 VDC
5002-12X6	12 VDC	5002-12XQC	12 VDC
5002-24X6	24 VDC	5002-24XQC	24 VDC
5002-28X6	28 VDC	5002-28XQC	28 VDC
5002-120X6	120 VAC		

Where the 'X' appears insert: 1-Red, 2-Green, 3-Yellow, 4-Amber, 5-Ultra Green, 6-Ultra Blue, 7-Pure White

Model 621

Metal Bodied Front Mountable LED Indicator

Model 621 front mountable LED indicator light. Available in all colors. Metal thread body with 6" wire leads. Reflector engineered to allow maximum light distribution. For panel mounting through 6 mm (0.236") dia. hole.

- Panel mount in 6 mm (0.236") diameter hole
- For panel thickness up to 5/32
- 6" wire leads (26 AWG)



Specifications

LED size	3 mm
----------	------

Warm Colors

LED color	Red	Yellow	Amber
Lens color	Diffused	Diffused	Diffused
Typical luminous intensity	5 MCD	12.5 MCD	12.5 MCD
Viewing angle	60°	60°	60°
Wavelength	R700	Y585	A605

Cool Colors

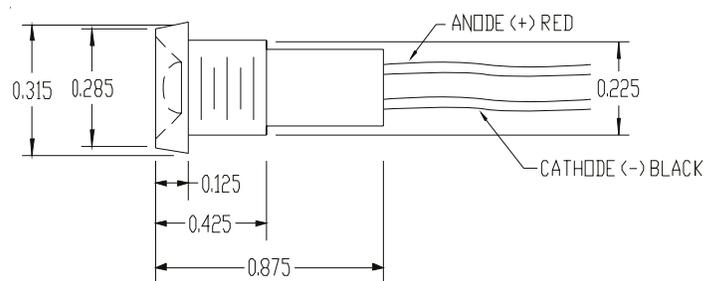
LED color	Green	Ultra Green	Ultra Blue	White
Lens color	Diffused	Waterclear	Waterclear	Waterclear
Typical luminous intensity	12.5 MCD	1700 MCD	500 MCD	630 MCD
Viewing angle	60°	30°	30°	30°
Wavelength	G565	G525	B470	-

Part Numbering

Part number	Voltage
621-2X	2 VDC*
621-5X	5 VDC
621-12X	12 VDC
621-24X	24 VDC
621-28X	28 VDC

Where the 'X' appears insert:
 1-Red, 2-Green, 3-Yellow, 4-Amber,
 5-Ultra Green, 6-Ultra Blue, 7-Pure White

*External resistor required.



All dimensions are in inches.

HOW TO ORDER

Example:

621	-	5	1
MODEL NO.		VOLTAGE	COLOR

Model 855

T-1 3/4 Panel Mount Front Relampable Incandescent or LED

Model 855-S (Standard Body)

Among the outstanding features of the 855 Series are: Small Mounting Size, Front Bulb Servicing, and Interchangeable Lens Assemblies. Contact pressure is maintained by a silicone rubber pressure pad. Pressure pad seals out moisture front to back. Uses T-1 3/4 Midget Flange Based bulb, Incandescent bulb or LED.



Model 855-SI (Insulated Body)

The 855-SI Model is the two-terminal version of the 855-SI Model. The body is insulated from the panel (or case) by insulating washers. Electrical contact with the body is made through a solder lug. Designed specifically to use T-1 3/4 Midget Flange Based Bulbs, Incandescent or LED.



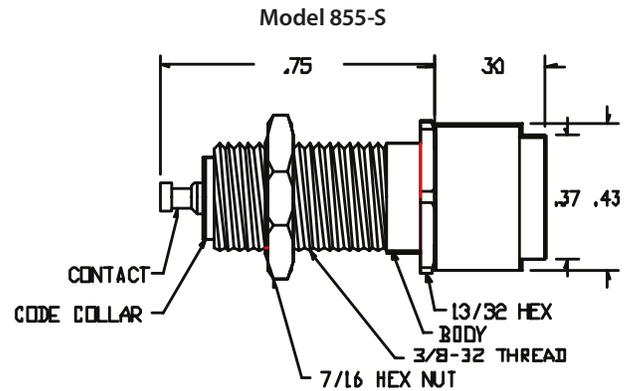
Lens Styles

Clear anodized bezel allows 180½ visibility.	Q		Same as M lens except with black anodized bezel	MB	
Same as Q lens except with black anodized bezel.	QB		Skirted lens covers metal parts for neat panel appearance Large lighted surface assures positive indication.	D	
Clear anodized bezel prevents sidelight emission.	DSC		Edgelight for plastic panels. Small diameter light gasket minimizes wasted panel space.	SE	
Same as DSC lens except with black anodized bezel.	DS		DIMMER: Rotating outer collar changes light output from full to minimum. Rotation to dim can be clockwise or counter-clockwise. Easy adjustment.	DDS	
Full 120° visibility and maximum illumination.	STD		UNLIMITED: Has no lens to diminish light output. Specifically suited to T-1 3/4 flanged based LED for maximum light output.	U	
Large lens for maximum visibility from all angles. Engineered to offer the most uniform light distribution. Full 180° visibility.	M		ILLUMINATOR: Slot on one side emits light for illuminating copy on mounting surface. Available with metal front preventing outward illumination, or with colored lens for easy item identification.	I	

Model 855

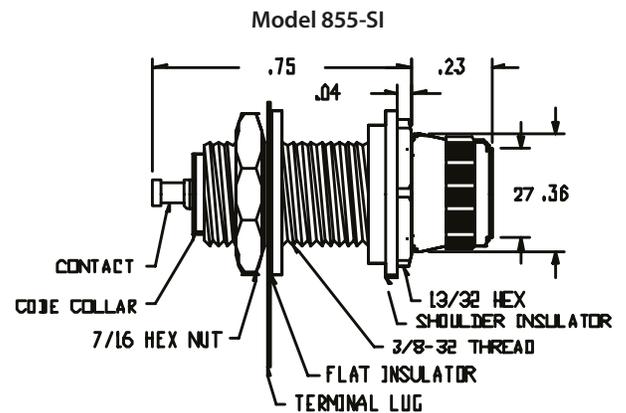
T-1 3/4 Panel Mount Front Relampable Incandescent or LED

Lens Colors General Purpose	Lens Colors Lexan	
Translucent	Transparent	Translucent
R - Red	RTP - Red	RTL - Red
W - White	*BTP - Blue	WTL - White
*B - Blue	GTP - Green	*BTL - Blue
G - Green	ATP - Amber	GTL - Green
A - Amber	CTP - Clear	ATL - Amber



All dimensions are in inches.

Legend for Lens Dimension				
Lens	Height		Lens Dia.	Bezel Dia.
	S	SI		
STD, I	5/16	11/32	17/64	3/8
D	21/64	3/8	3/8	1/2
DS, DSC, Q, QB	23/64	25/64	23/64	7/16
M, MB	5/8	21/32	7/16	1/2
SE	27/64	15/32	-	1/2
DDS	25/64	7/16	-	3/8
U	15/64	17/64	-	3/8



All dimensions are in inches.

HOW TO ORDER

Example:

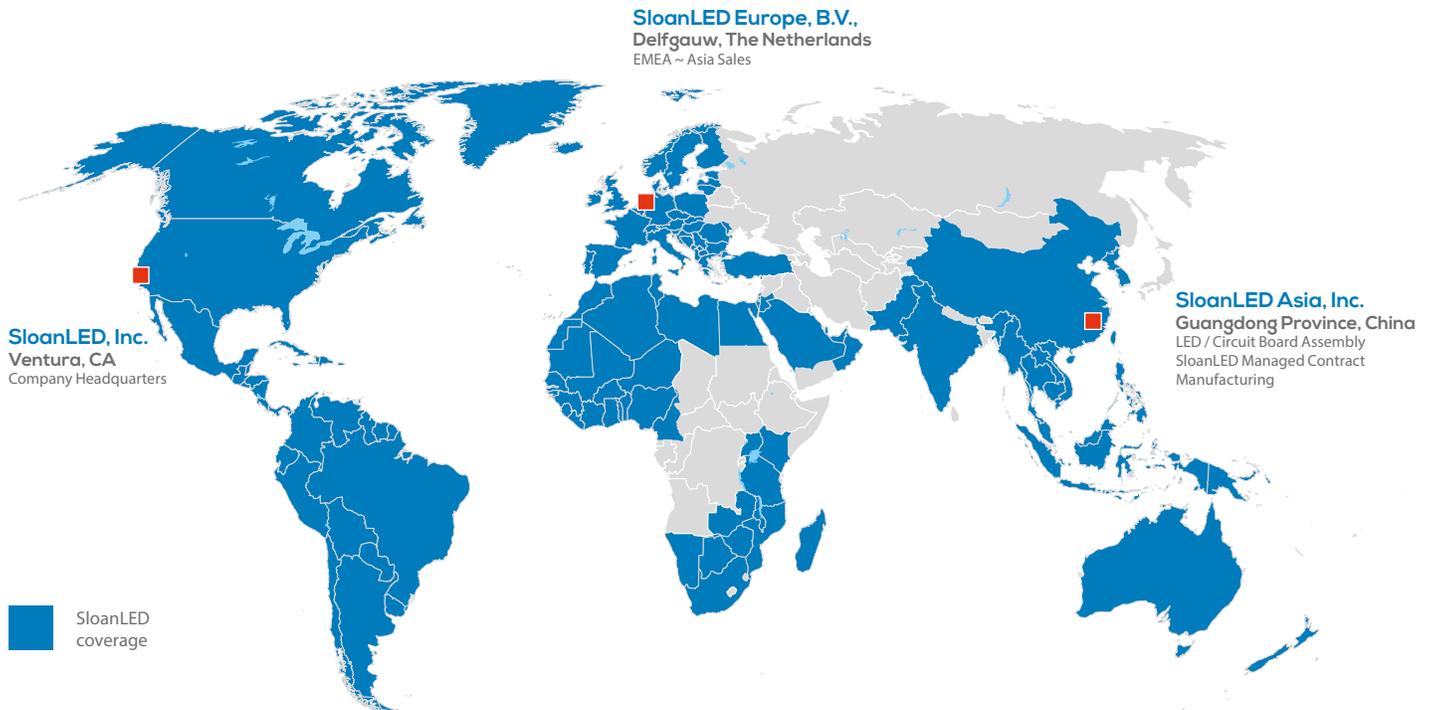
855	-	S	-	DSC	-	5**	-	GTL	-	327
MODEL NO.		BODY STYLE		LENS STYLE		COLOR CODING		LENS COLOR		LAMP

*Not recommended for LEDs

**Color Collars are available in choice of EIA colors to simplify wiring by color coding.

No matter where you are. We've got you covered.

From Alaska to Australia, with 150+ employees, and the best global coverage in the industry, we've got you covered.



SloanLED Headquarters
805.676.3200 • info@SloanLED.com

SloanLED Europe b.v.
+31 88 12 44 900 • Europe@SloanLED.com



SloanLED.com

Trade names, marks and logos shown are the property of their respective owners. Specifications may change without notice.

© 2019 SloanLED Rev B 2019-08-28

