

Daybreak

LED comfort luminaires
LCG-TR

Ordering information Luminaire

Example: LCG-TR22-40W-N-40K-D1-EM12-N

LCG-TR		-D1-				
Product	Size	Wattage	Input	Color temp. (CCT)	Emergency drivers†	Options
LCG-TR	22 2' × 2'	40W 40 W	U 100-277 V (standard)	35K 3500 K	EM12 EC12 CA T20	(blank) Standard
	24 2' × 4'	40W 40 W		40K 4000 K		
		62W 62 W	N 100-347 V	50K 5000 K	EM24 EC24 CA T20	EN‡ Enlighted enabled
					EM-L1654 EM-L2554	



Product description

Daybreak recessed luminaires are designed to provide improved visual comfort promoting a healthy and productive environment. The center illuminated optic provides direct illumination while the two-side wing panels provide comfortable, indirect illumination.

- Long lasting, energy efficient system delivers up to 117 lm/W
- Available in 3500 K, 4000 K, and 5000 K
- CRI 80+
- EM battery backup available
- 0-10 V dimming standard, dims to 10%
- Calculated life 135,000 hours

Performance summary

Model	2' × 2'	2' × 4'	
Wattage	38 W	39 W	62 W
Lumens*	4,441	4,443	7,068
Efficacy	117 lm/W	114 lm/W	115 lm/W
CCT	3500 K, 4000 K, 5000 K		
Finish	White polyester powder coat		
Life rating	L ₇₀ reported @ >54,000 hours		

Fixture can only be installed in accessible ceilings to access back mounted driver.



* Data based on 3500 K model.

† EC type emergency drivers are CEC T20 compliant for BC mark.

‡ DLC does not apply to Enlighted-ready products.

Application guide

Size	Luminaire spacing	Wattage	Light level (fc)	LPD w/ft ²
2' × 2'	10' × 10'	40 W	45	0.38
	8' × 8'		65	0.55
2' × 4'	10' × 12'		36	0.31
	8' × 10'		45	0.39

Ceiling height: 9' (2.7 m)

2' × 2' - 3500 K, 40 W 80+ CRI

2' × 4' - 3500 K, 40 W 80+ CRI

Reflectances: 80 / 50 / 20

Initial light levels

Battery backup†

Part number	Wattage	Fixture wattage
EM-L1654/EM12/EC12	16 W	40 W
EM-L2554/EM24/EC24	25 W	62 W



Daybreak

LED comfort luminaires

LCG-TR

Product specifications

Electrical

System power

Size	Wattage	Lumens*	Efficacy
2' x 2'	38 W	4,441	117 lm/W
2' x 4'	39 W	4,443	114 lm/W
	62 W	7,068	115 lm/W

* Data based on 3500 K model.

Input voltage 100-277 VAC standard, 100-347 optional, 50-60 Hz

Lighting

Beam angle 90°

Color temperature (CCT) 3500 K, 4000 K, 5000 K

Color rendering (CRI) >80

Performance

Power factor >0.9

Operating temperature -40° F to +104° F (-40° C to +40° C)

UL location rating cULus listed for damp locations

Life rating
L₇₀ Reported >54,000 hours
L₇₀ Calculated >135,000 hours

Dimming 0-10 VDC dimming standard, dims to 10%

Construction

Body CRS (Cold rolled steel)

Light guide lens PMMA diffused prism

Finish White polyester powder coat

Weight
2' x 2' 10.58 lbs. (4.8 kg)
2' x 4' 20.5 lbs. (9.3 kg)

Documentation

Warranty 5-year limited and Performance+ Turnkey Service Warranty†

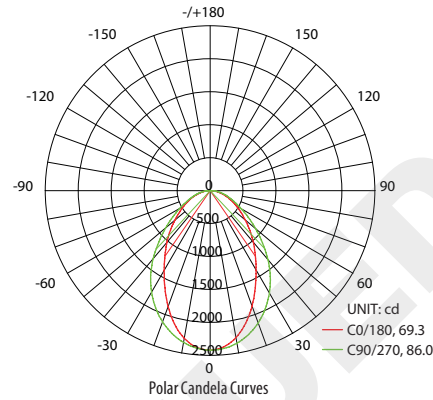
Agency listings ETL, DesignLights Consortium® (DLC), cULus

* Data based on 3500 K model.

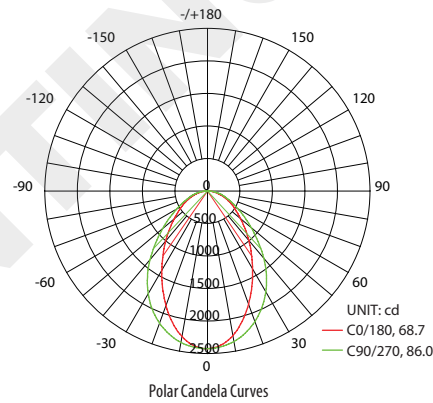
† Performance+ Turnkey Service Warranty applies to U.S. & Canada installations ONLY.

Photometrics

2 x 2 LCG-TR22-40W-U-35K

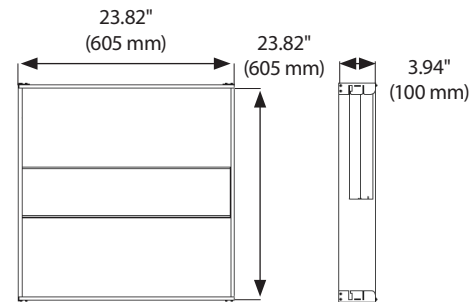


2 x 4 LCG-TR24-40W-U-35K

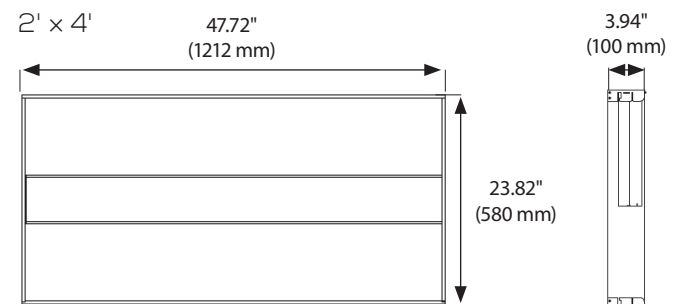


Dimensions

2' x 2'



2' x 4'



Daybreak

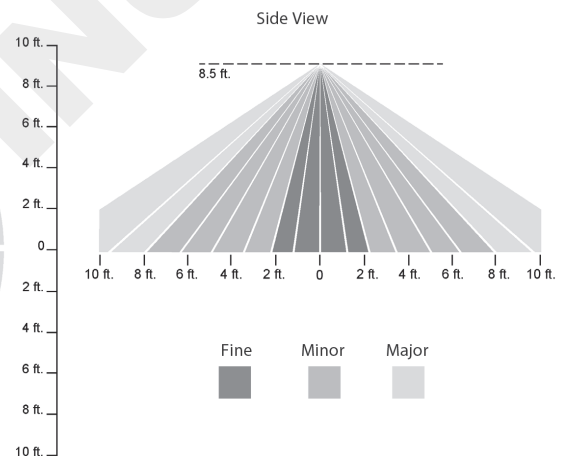
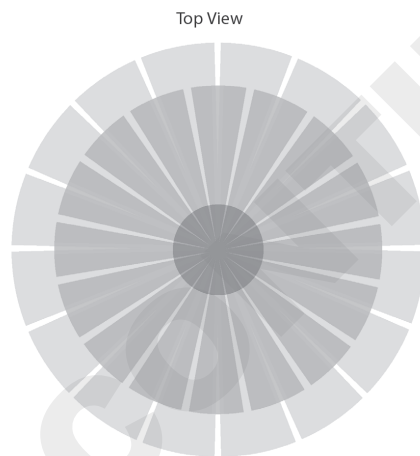
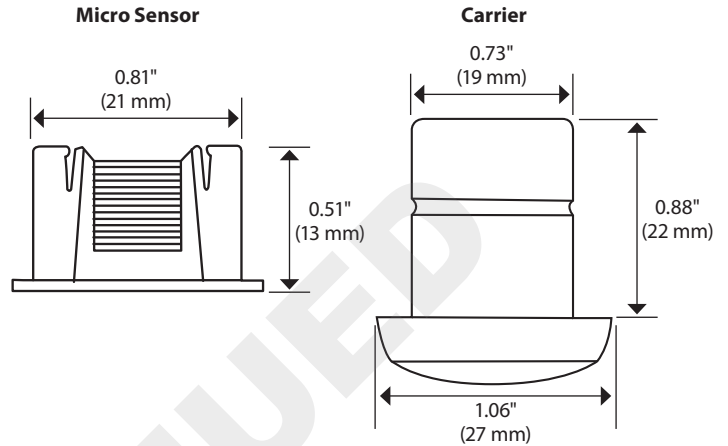
LED comfort luminaires

LCG-TR

Enlighted Advanced Sensors[‡] **enlighted**[™]
A Siemens Company

- Embedded BLE radio can receive, transmit, and communicate with other lighting control devices and sensors
- IoT-Ready LED drivers and Enlighted Controllers communicate via serial interface
- Enlighted hardware is ready to communicate with your existing Enlighted system
- When configured as an IoT node, the sensors capture real-time data about what is happening in the building, powering intelligent software applications and allowing you to make data-driven decisions about your spaces
- Fixture light-level schedules, preferences, and behavior profiles are wirelessly communicated during system setup and locally stored for continuous operation
- Operating temperature: 32° F to 122° F (0°C to 50°C)
- 5-year warranty

* Not for use with other sensor options.
‡ DLC does not apply to Enlighted-ready products.



SloanLED Headquarters
5725 Olivas Park Drive, Ventura, CA, USA
805.676.3200 • info@SloanLED.com

SloanLED Europe b.v.
Argonstraat 110, 2718 SN Zoetermeer, NL
+31 88 12 44 900 • europe@SloanLED.com



SloanLED.com

© 2023 SloanLED Rev F 2023-02-15



Visit product page for details.

Specifications subject to change without notice.

