

60W4 60 W Power Supply

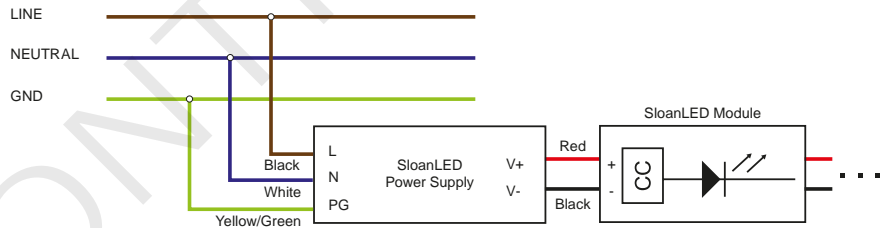
Damp/dry/wet-rated 60 Watt power supply

12
VDC



- Universal input voltage – 120 - 240 VAC (277 VAC North America only), 50-60Hz
- Constant voltage output: 12 VDC
- Auto-resetting – No fuses to replace or circuit breaker to reset – Short circuit protection automatically resets when short condition is corrected
- UL879 and UL879A approved
- Simple secondary hook-ups – No minimum load or load balancing required
- 5-year product and limited labor warranty
- Rugged and compact

Wiring diagram



In the end application, the maximum case temperature (T_c) shall not be exceeded 90° C.
The product is intended for IP68 environment.



60W4 60 W Power Supply

Damp/dry/wet-rated 60 Watt power supply

12
VDC

Specifications

Part number.....701507-60W4

INPUT

Rated input voltage120-277 VAC

Max. input voltage108-305 VAC

Frequency.....60/50 Hz

Rated input current.....0.8 A max.

Inrush current.....70 A max. @ 277 VAC, 60 Hz

Efficiency.....>88% @ 120 VAC

Power factor.....>0.95 @ 240 VAC (full-load)
>0.90 @ 277 VAC (65% load)

THD<20% @ 120-277 VAC (full-load)
<20% @ 277 VAC (65% load)

OUTPUT

Rated output voltage12 VDC

Rated output current.....5 ADC

Max. output power60 W

Line regulation.....< 1%

Load regulation.....< 3%

PROTECTION

Over currentYes, auto-recovery

Over temperatureYes, 95° C to 105° C case, auto-recovery

Short circuit.....Yes, auto-recovery

Surge immunityLine – Earth → 4 kV
Line – Neutral → 2 kV

ENVIRONMENT

Operating ambient temp.....-40° C to +60° C, derated up to 70° C with 50% of load

Maximum case temp.....90° C

Storage temp.....-40° C to +85° C

IP ratingIP68

Lifetime.....40,000 hours @ +60° C ambient with 100 % load

COMPLIANCE

Safety standardUL879/879A

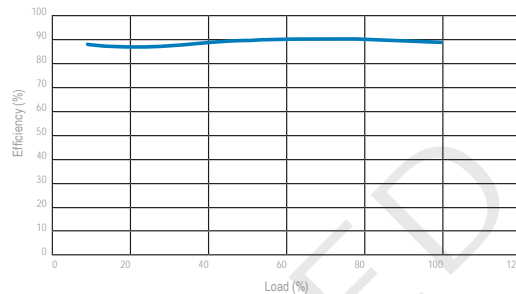
EMI standard.....FCC Class B

Harmonic current emissionIEC/EN61000-3-2 Class C

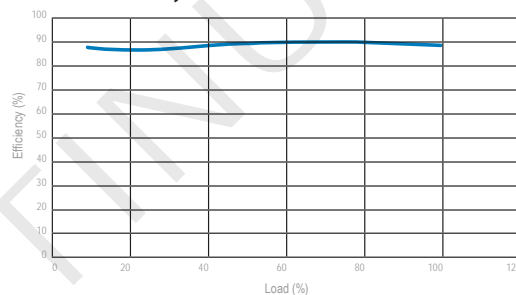
Surge.....IEC/EN61000-4-5

Efficiency

Efficiency with various loads @ 120 VAC



Efficiency vs various loads @ 240 VAC



60W4 60 W Power Supply

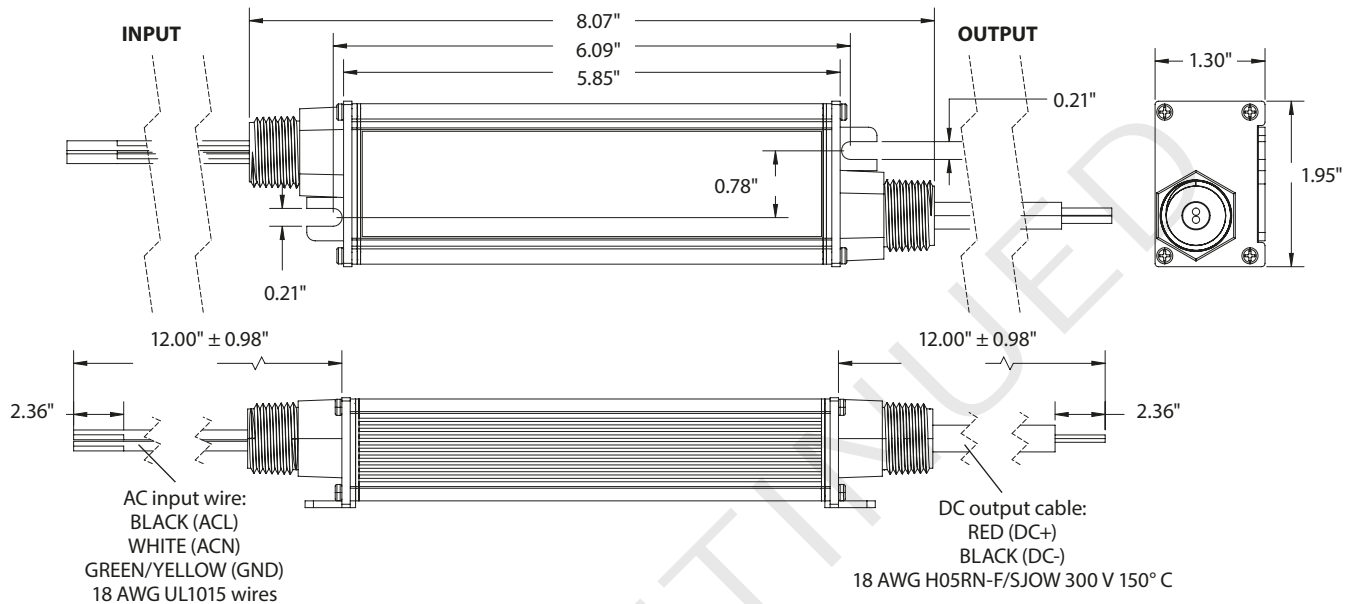
12
VDC

Damp/dry/wet-rated 60 Watt power supply

Dimensions

701507-60W4

Weight: 1.0 lbs



SloanLED Headquarters

5725 Olivas Park Drive, Ventura, CA, USA
805.676.3200 • info@SloanLED.com

SloanLED Europe b.v.

Argonstraat 110, 2718 SN Zoetermeer, NL
+31 88 12 44 900 • europe@SloanLED.com



SloanLED.com

Specifications subject to change without notice.
© 2023 SloanLED Rev B 2023-08-17



Visit product page
for details.

Specifications subject to change without notice.

