

RD Series: RDS

LED Recessed Downlight, Small
RDS

Product description

The SloanLED RD Series of LED downlights offer exceptional performance and quality for spot, task, and wall washing in retail and commercial applications. The Recessed Downlight – Small (RDS) is a sealed front diffused lens fixture that provides even distribution, non-glare lighting while preventing insect and moisture ingress behind the lens. The high efficacy of the fixture yields energy savings of more than 85% over incandescent and more than 75% over CFL. Payback on this fixture typically occurs in less than one year.

- Long life LED reduces maintenance costs
- Sealed lens keeps bugs out
- Easy to install spring clip mounting allows for quick retrofits or remodels
- Energy savings of more than 75% over CFL



Product specifications

Part number 701977-4SDTW1

Electrical

Driver ENEC Certified driver included

Input voltage 220-240 VAC

Output voltage 32-42 VDC

System input power 15 W

System efficacy 94 lm/W

Power factor >0.9

Total Harmonic Distortion (THD) ... <20%

Lighting

Light output 1,410 Lumens (nominal)

Beam angle 90°

Color temperature (CCT) 4000 K

Color rendering (CRI) >80

Dimmable No

Performance

Ingress protection IP20

Operating temperature 10° C to 30° C (50° F to 86° F)

Life rating >50,000 hours (L₇₀)*

* Based on LED component manufacturer data.



Construction

Housing Aluminum

Trim Polycarbonate

Lens Diffuse textured polycarbonate

Finish White trim ring

Weight 1.8 kg (4.0 lbs)

Mounting

Mounting Spring clamps

Hole diameter 105 mm (4.13")

Documentation

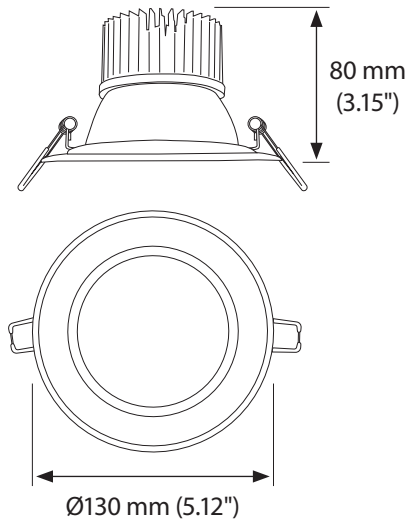
Warranty 5-year limited

Agency listings CE, ErP: A+, RoHS, Reach, LVD

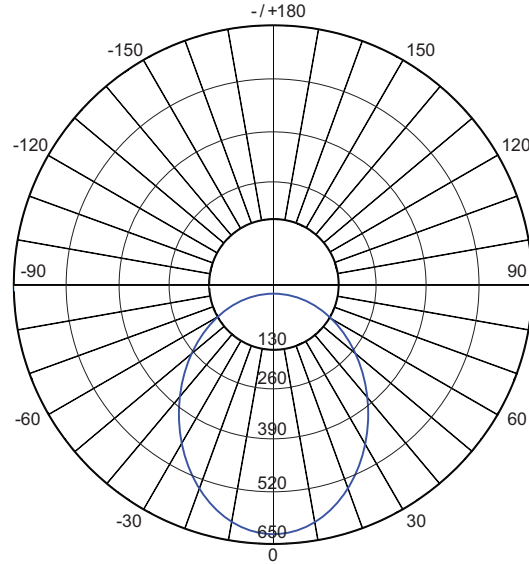
RD Series: RDS

LED Recessed Downlight, Small
RDS

Dimensions



Photometrics



SloanLED Headquarters
5725 Olivas Park Drive, Ventura, CA, USA
805.676.3200 • info@SloanLED.com

SloanLED Europe b.v.
Argonstraat 110, 2718 SN Zoetermeer, NL
+31 88 12 44 900 • europe@SloanLED.com

SloanLED.com