

Roswell

LED spun metal UFO high bay fixture
LCG-RHB

- Ideal replacement for linear fluorescent or 400 W metal halide high bays
- High performance optics for bright, uniform illumination
- Can be chain hung, surface, or pendant mounted



Specifications

Electrical

| | |
|------------------------------|------------------------------|
| System power | 90 W, 140 W |
| Input voltage | 110-277 VAC and 347-480 VAC* |
| System efficacy | 90 W 137 lm/W |
| | 140 W 128 lm/W |
| Power factor | >0.95 |

Lighting

| | |
|--------------------------------------|---------------------------|
| Light output | 90 W 12,300 Lumens |
| | 140 W 17,850 Lumens |
| Color temperature (CCT) | 4000 K, 5000 K* |
| Color rendering (CRI) | >80 |

Performance

| | |
|------------------------------------|---------------------------------|
| Operating temperature | -40° C to +45° C |
| UL location rating | Dry location only |
| Life rating | L ₇₀ @ >50,000 hours |
| Dimming | Non-dimming |

Construction

| | |
|---------------------------|---|
| Housing | Stamped and spun aluminum |
| Finish | White powder paint |
| Optics | Polycarbonate |
| Mounting | |
| Surface | J-box/mount included |
| Chain hung | Die cast hook included |
| Pendant | J-box/mount included. Fixture has 12.7 mm (0.5") NPT socket for down tube (supplied by installer) |
| Power cord | 1.4 m (55") long, 3 wire, 18 gauge double-insulated |
| Safety cable | 1.3 m (50") long, steel branded cable included with carabiner hardware |

Documentation

| | |
|------------------------------|----------------|
| Warranty | 5-year limited |
| Agency listings | CE, cULus, FCC |



* Available by special order, please contact SloanLED for lead times.

Ordering information

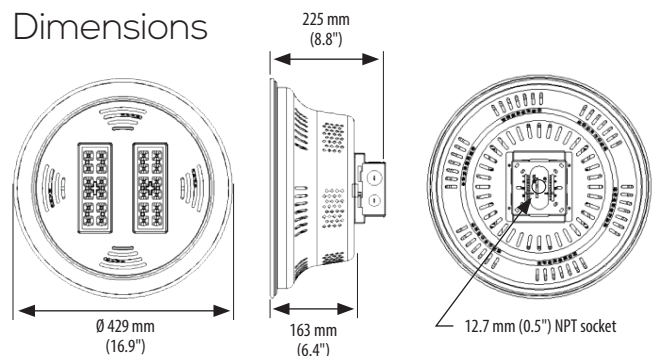
Part number

Example: LCG-RHB-140W-U-40K-WT

LCG-RHB- [] - [] - [] -WT

| Power | | Voltage | | Kelvin temperature | |
|-------|-------|---------|--------------|--------------------|-------------|
| Code | Desc. | Code | Description | Code | Description |
| 90W | 90 W | U | 120-277 VAC | 40K | 4000 K |
| 140W | 140 W | H | 347-480 VAC* | 50K | 5000 K* |

Dimensions



SloanLED Headquarters
805.676.3200 • info@SloanLED.com

SloanLED Europe b.v.
+31 88 12 44 900 • Europe@SloanLED.com

SloanLED.com

