

Roswell

LED spun metal UFO high bay fixture
LCG-RHB

- Ideal replacement for linear fluorescent or 400 W metal halide high bays
- High performance optics for bright, uniform illumination
- Can be chain hung, surface, or pendant mounted



Specifications

Electrical

System power	90 W, 140 W	
Input voltage	110-277 VAC and 347-480 VAC*	
System efficacy	90 W	137 lm/W
	140 W	128 lm/W
Power factor	>0.95	

Lighting

Light output	90 W	12,300 Lumens
	140 W	17,850 Lumens

Color temperature (CCT) 4000 K, 5000 K*

Color rendering (CRI) >80

Performance

Operating temperature..... -40° C to +45° C

UL location rating..... Dry location only

Life rating L₇₀ @ >50,000 hours

Dimming Non-dimming

Construction

Housing Stamped and spun aluminum

Finish White powder paint

Optics Polycarbonate

Mounting

Surface..... J-box/mount included

Chain hung Die cast hook included

Pendant..... J-box/mount included. Fixture has 0.5" (12.7 mm) NPT socket for down tube (supplied by installer)

Power cord..... 55" (1.4 m) long, 3 wire, 18 gauge double-insulated

Safety cable..... 50" (1.3 m) long, steel branded cable included with carabiner hardware

Documentation

Warranty 5-year limited

Agency listings..... CE, DesignLights Consortium® (DLC), cULus, FCC



* Available by special order, please contact SloanLED for lead times.

Ordering information

Part number

Example: LCG-RHB-140W-U-40K-WT

LCG-RHB- - - -WT

Power

Code	Desc.
90W	90 W
140W	140 W

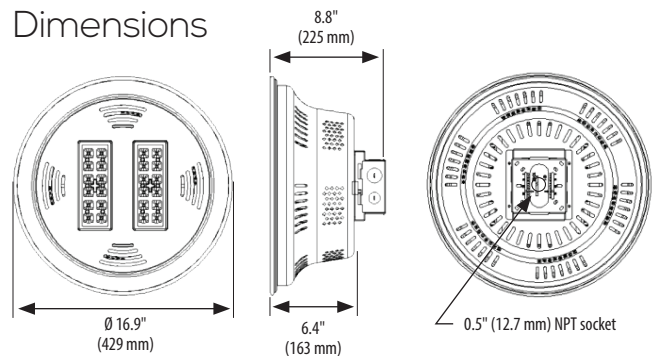
Voltage

Code	Description
U	120-277 VAC
H	347-480 VAC*

Kelvin temperature

Code	Description
40K	4000 K
50K	5000 K*

Dimensions



SloanLED Headquarters

5725 Olivas Park Drive, Ventura, CA, USA
805.676.3200 • info@SloanLED.com

SloanLED Europe b.v.

Argonstraat 110, 2718 SN Zoetermeer, NL
+31 88 12 44 900 • europe@SloanLED.com



SloanLED.com

© 2022 SloanLED Rev E 2022-01-25

Specifications subject to change without notice.

SloanLED®
Leaders in LED Technology