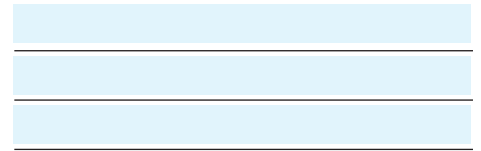


Twilight

LED post top luminaire

LCG-PT



Ordering information

Luminaire

Example: LCG-PT-30W-U-40K-T2-BZ

Product	Power	Voltage	Color temp. (CCT)	Optics	Finish	Options
LCG-PT	30W 30 Watt	U 100-277 VAC	30K* 3000 K	T2 Type II	BK Black	(blank) None
	40W 40 Watt	H† 480 VAC	40K 4000 K	T5 Type V	BZ Dark Bronze	P Photocell
	50W 50 Watt		50K 5000 K		WT* White	
	80W† 80 Watt					
	100W† 100 Watt					



Product description

Twilight LED post top luminaire delivers bright, even illumination to a broad range of applications. From courtyards and pedestrian walkways to outdoor hospitality and parking areas, Twilight adds a sleek, modern look for truly inviting daytime landscapes and a guiding light at night. Available in a variety of wattages, 2,800 to 9,100-lumen range, pathway and symmetrical distributions, and your choice of three finish colors.

- Sleek design fits with most architectural applications
- Tier 1 LED for high luminous efficiency and long life
- High-crystalline optical glass lens for reduced glare
- Type II or Type V optics for path or area lighting



Shown with optional button photocell

Performance summary

CCT	3000 K*, 4000 K, 5000 K	
Lumens [§]	30 W	2,826
	40 W	3,600
	50 W	4,800
	80 W†	7,512
	100 W†	9,147



* Available as special order. Contact SloanLED Sales.
 † 80 W and 100 W models are available special order only. Please contact SloanLED Sales.
 ‡ 480 VAC uses 480-277 VAC stepdown transformer. Field install, ship along side.
 § Data based on 5000 K CCT and Type II optic.

Twilight

LED post top luminaire

LCG-PT

Product specifications

Electrical^a

Input voltage 120-277 VAC and 480 VAC[‡]

Wattage	Lumens [§]	Efficacy [§]
30 W	2,826	90 lm/W
40 W	3,600	90 lm/W
50 W	4,800	96 lm/W
80 W [†]	7,512	93 lm/W
100 W [†]	9,147	91.5 lm/W

Power factor >0.90

Lighting

Beam optics Non-standard Type II and Type V

Color temperatures (CCT) 3000 K*, 4000 K, 5000 K

Color rendering (CRI) >70

Performance

Operating temperature -40° F to +104° F (-40° C to +40° C)

IP rating IP65

UL locating rating Suitable for wet locations

Life rating L₇₀ @ 2>50,000 hours

Driver efficiency >90%

Dimming Non-dimming

EPA 0.68 ft² (0.06 m²)

Construction

Housing Die cast aluminum

Finish Black, Dark Bronze, or White* polyester power coat

Lens Clear glass

Mounting

Body slipfitter Socket sized for 3.54" (90 mm) Ø pole

Tenon adaptor Transition adapter
(3.54" > 2.36" [90 mm > 60 mm]) included

Documentation

Warranty 5-year limited and Performance+ Turnkey Service Warranty[¶]

Agency listings CE, Intertek

* Available as special order. Contact SloanLED Sales.

† 80 W and 100 W models are available special order only. Please contact SloanLED Sales.

‡ 480 VAC uses 480-277 VAC stepdown transformer. Field install, ship along side.

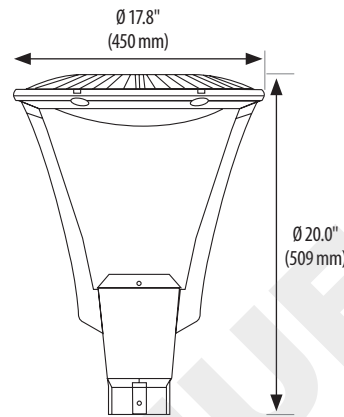
§ Data based on 5000 K CCT and Type II optic.

¶ Performance+ Turnkey Service Warranty applies to U.S. & Canada installations ONLY.

Δ 4 kV line-ground surge protection incorporated in driver.

Dimensions & weight

Weight: 20.0 lbs (9.1 kg)



Accessories

Part number	Description
601120	Photocell kit for field installation (includes button photocell, light shield, and connectors)

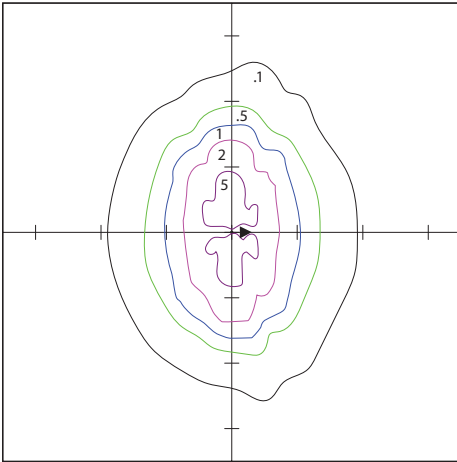
Twilight

LED post top luminaire

LCG-PT

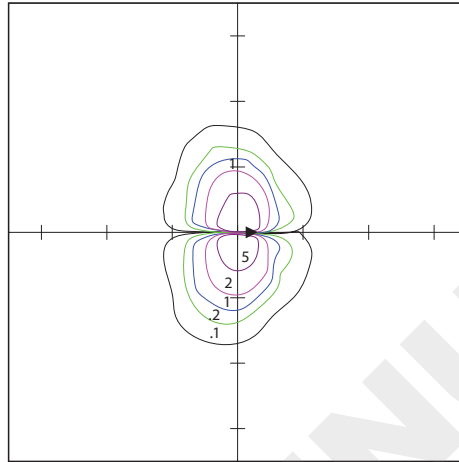
Photometrics

100 W, Type II LCG-PT-100W-U-50K-T2



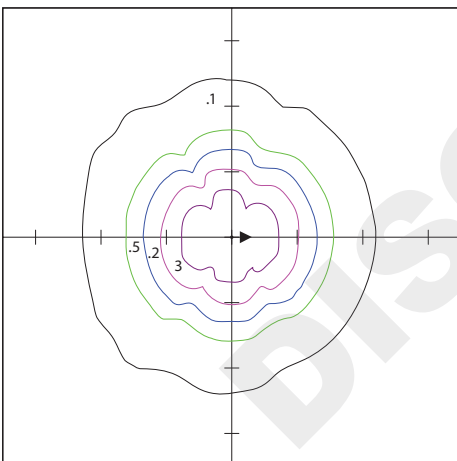
Horizontal Footcandles
Scale: 20 ft (6.1 m); tick marks: 20 ft (6.1 m)
Mounting height: 15 ft (4.6 m)

50 W, Type II LCG-PT-50W-U-50K-T2



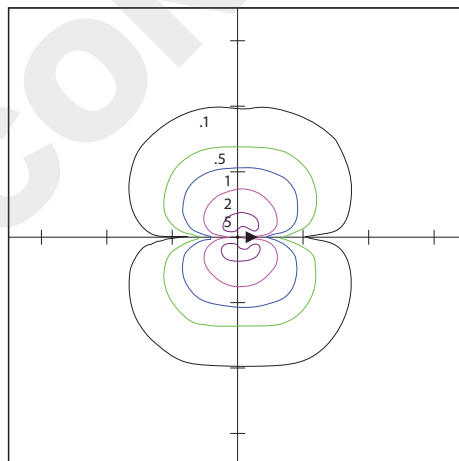
Horizontal Footcandles
Scale: 20 ft (6.1 m); tick marks: 20 ft (6.1 m)
Mounting height: 10 ft (3.0 m)

100 W, Type V LCG-PT-100W-U-50K-T5



Horizontal Footcandles
Scale: 20 ft (6.1 m); tick marks: 20 ft (6.1 m)
Mounting height: 15 ft (4.6 m)

50 W, Type V LCG-PT-50W-U-50K-T5



Horizontal Footcandles
Scale: 20 ft (6.1 m); tick marks: 20 ft (6.1 m)
Mounting height: 10 ft (3.0 m)

SloanLED Headquarters
5725 Olivas Park Drive, Ventura, CA, USA
805.676.3200 • info@SloanLED.com

SloanLED Europe b.v.
Argonstraat 110, 2718 SN Zoetermeer, NL
+31 88 12 44 900 • europe@SloanLED.com



SloanLED.com

© 2023 SloanLED Rev R 2023-03-02



Visit product page for details.

Specifications subject to change without notice.

